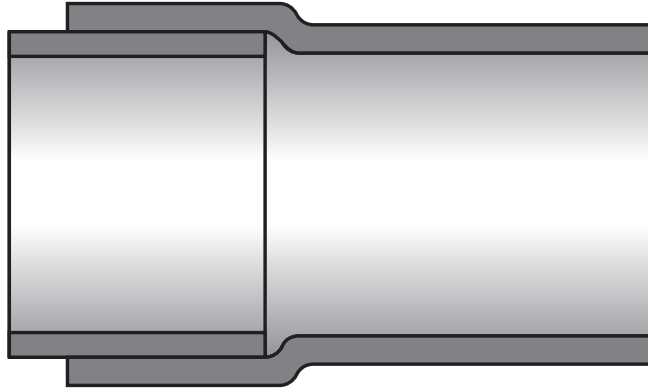


Conduit Joining System



Straight Socket Joint

The Straight Socket Joint connection can be used for above and below ground applications.

Some features of the Straight Socket Joint connection are:

- Consists of bell and spigot.
- Spigot easily slides into belled end.
- Intended for use with Champion Mix® epoxy adhesive.
- High pull-out strength.
- Concrete tight and water tight joint.
- Straight Socket joining system is provided with all diameters of XW conduits.

To learn more about how to assemble the Straight Socket Joint connection, please see the installation video on our website.