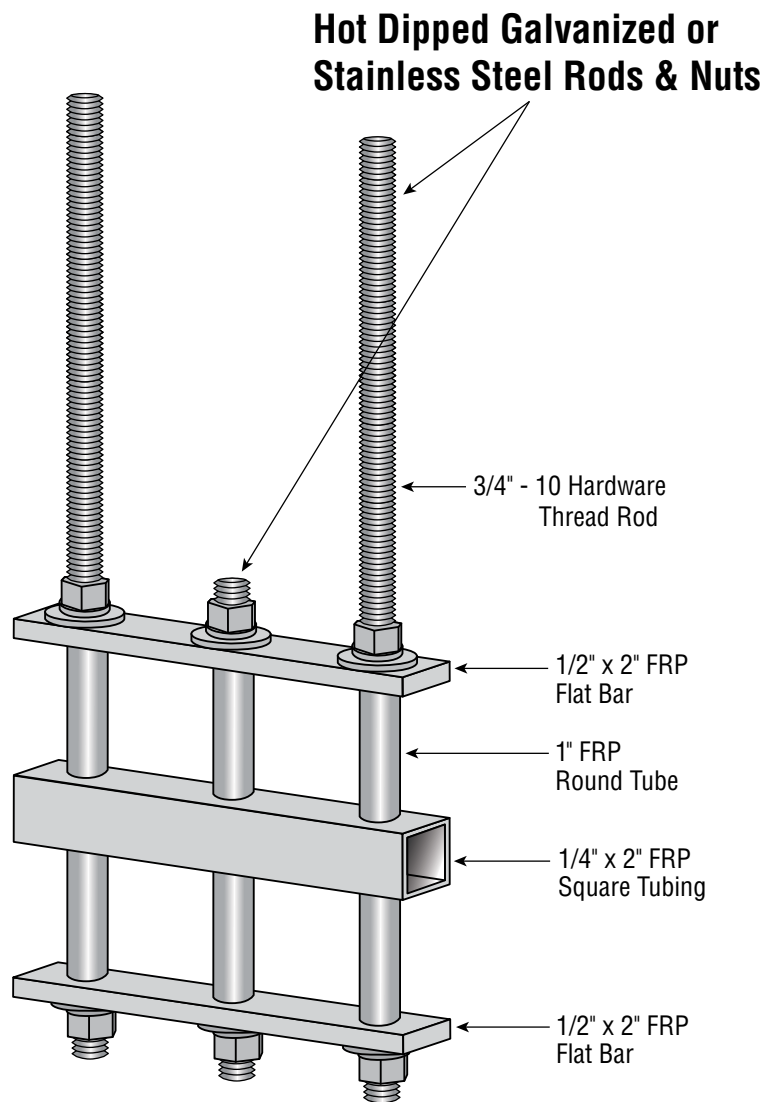


## STEEL HARDWARE SPECIFICATIONS

The support rods, intermediate rods, and all metallic hardware will be manufactured as **Hot Dipped Galvanized Steel, 304 Stainless Steel** or **316 Stainless Steel**. These hanger components are assembled based on the specified application requirements.

Complete components of a bridge hanger may include the following:

- 2" x ½" **(50.8mm x 12.7mm)** Fiberglass flat bar, all holes on centerline, holes for support rods, 1" **(25mm)** from each end of plate. Length as required.
- 2" x 2" x ¼" **(50.8mm x 50.8mm x 6.4mm)** Fiberglass square tubing, all holes on centerline, holes for support rods, 1" **(25mm)** from each end of square tube. Length as required.
- 1" OD x 0.755" ID **(25.4mm OD x 19.2mm ID)** Fiberglass spacer tube. Length as required.
- ¾" **(19mm)** All thread rod with 2 nuts, 2 lock washers and 2 flat washers. Length as required.



## HOT DIPPED GALVANIZED HARDWARE

The support rods, intermediate rods, and all metallic hardware shall be hot dipped galvanized steel and shall meet or exceed the following:

- Threaded Rod ASTM A307 with ASTM 153 Galvanizing Tensile Strength 74,000 psi
- Hex nut ASTM A307 with ASTM 153 Galvanizing
- Flat washer ASTM A307 with ASTM 153 Galvanizing
- Lock washer ASTM A307 with ASTM 153 Galvanizing

Metal components that are custom fabricated shall have a hot dipped galvanizing applied in accordance with ASTM specification a-123/123m2 dated 2002 with a minimum coating thickness of 2.0 oz/sq ft. The zinc used in this process shall be a high grade zinc conforming to ASTM B6-00 with less than .03% lead used in this process.

## 304 STAINLESS STEEL HARDWARE

The support rods, intermediate rods, and all metallic hardware shall be stainless steel and shall meet or exceed the following:

- Threaded Rod SS304 ASTM A193 grade B8
- Hex nut ASTM SS304 A194 grade 8
- Flat washer SS18-8
- Lock washer SS18-8

Metal components that are custom fabricated shall be stainless steel 304 in accordance with ASTM specification A193/A193M-94b dated 1994.

## 316 STAINLESS STEEL HARDWARE

The support rods, intermediate rods, and all metallic hardware shall be stainless steel and shall meet or exceed the following:

- Threaded Rod SS316 ASTM A193 grade B8M
- Hex nut ASTM SS316 A194 grade 8M
- Flat washer SS18-8
- Lock washer SS18-8

Metal components that are custom fabricated shall be stainless steel 316 in accordance with ASTM specification A193/A193M-94b dated 1994.

*Note: A completed bridge hanger also include components referenced at the beginning of this section.\**