

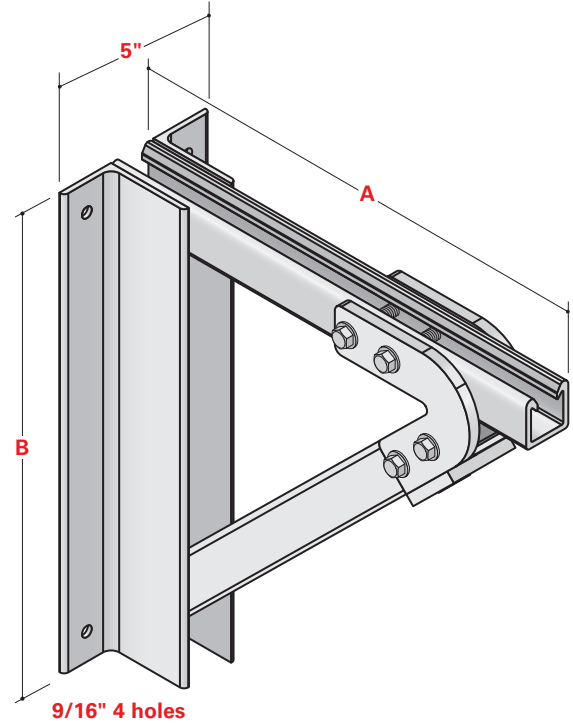
# Wall Support Racks

## CHAMPION STRUT™ WALL BRACKETS

Champion Strut wall brackets are typically used to support piping, electrical conduits or cable trays that will be wall mounted. Each wall bracket has a maximum load rating of 750 lbs with a 3.0 safety factor on a uniformly distributed load. Bracket spacing may be determined by dividing 750 lbs by the piping, electrical conduit or cable tray load by the total load in lbs/ft of piping, conduit or cable tray including its intended material load (fluid or cable).

	ITEM NO	TRAY WIDTH (IN)	DIMENSIONS	
			A (IN)	B (IN)
<input type="checkbox"/>	CS-SR-06-P/V*	6"	10"	10"
<input type="checkbox"/>	CS-SR-09-P/V*	9"	13"	12"
<input type="checkbox"/>	CS-SR-12-P/V*	12"	16"	13"
<input type="checkbox"/>	CS-SR-18-P/V*	18"	22"	16"
<input type="checkbox"/>	CS-SR-24-P/V*	24"	28"	19"
<input type="checkbox"/>	CS-SR-30-P/V*	30"	34"	22"
<input type="checkbox"/>	CS-SR-36-P/V*	36"	40"	25"

\* Use P for polyester resin and V for vinyl ester resin.



# Instruments and Pipe Stands

## CHAMPION STRUT™ HEAVY-DUTY POST BASE

The Champion Strut heavy-duty post base is compression molded from corrosion-resistant vinyl ester resin and is available with either a 2" x 2" square tube opening or a 2" IPS round opening that will fit 2" SCH80 pipe. The standard color is black with special colors available upon request.

	ITEM NO	OPENING SIZE (IN)
<input type="checkbox"/>	CS-HDPB-S	2" x 2"
<input type="checkbox"/>	CS-HDPB-R	2" IPS

