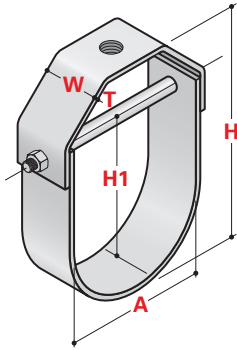


## CHAMPION STRUT™ HAND LAY-UP CLEVIS HANGERS



	ITEM NO	NOMINAL SIZE (IN)	T (IN)	H (IN)	H1 (IN)	W (IN)	HANGER ROD SIZE (IN)	TRANS ROD SIZE (IN)	SPREADER ROD SIZE (IN)	LOAD* (LBS)
<input type="checkbox"/>	CS-LCH-10	1" – 1-1/2"	1/8"	2.75"	1.875"	1.50"	1/2"	3/8"	1/2"	60
<input type="checkbox"/>	CS-LCH-15	1-1/2" – 2"	1/8"	3.50"	2.375"	1.50"	1/2"	3/8"	1/2"	60
<input type="checkbox"/>	CS-LCH-20	2" – 2-5/8"	1/8"	4.75"	3.00"	2.00"	1/2"	3/8"	1/2"	90
<input type="checkbox"/>	CS-LCH-25	2-1/2" – 3-1/4"	1/8"	5.50"	3.625"	2.00"	1/2"	3/8"	1/2"	120
<input type="checkbox"/>	CS-LCH-30	3" – 3-7/8"	1/8"	7.00"	4.250"	2.00"	5/8"	3/8"	1/2"	160
<input type="checkbox"/>	CS-LCH-40	4" – 5-1/8"	3/16"	8.50"	5.625"	2.00"	5/8"	3/8"	1/2"	250
<input type="checkbox"/>	CS-LCH-60	6" – 7-1/8"	3/16"	10.875"	7.50"	3.00"	5/8"	3/8"	1/2"	300
<input type="checkbox"/>	CS-LCH-80	8" – 9-1/4"	1/4"	14.00"	9.75"	3.00"	5/8"	3/8"	1/2"	350
<input type="checkbox"/>	CS-LCH-100	10" – 11-3/8"	1/4"	18.00"	12.00"	4.00"	5/8"	1/2"	3/4"	450
<input type="checkbox"/>	CS-LCH-120	12" – 13-1/2"	1/4"	21.50"	14.125"	5.00"	5/8"	1/2"	3/4"	600
<input type="checkbox"/>	CS-LCH-140	14" – 15-3/4"	1/4"	24.50"	16.50"	5.00"	3/4"	1/2"	3/4"	700
<input type="checkbox"/>	CS-LCH-160	16" – 18"	3/8"	27.375"	19.50"	6.00"	3/4"	3/4"	1"	750
<input type="checkbox"/>	CS-LCH-190	19" – 21"	3/8"	34.50"	22.50"	6.00"	3/4"	3/4"	1"	800
<input type="checkbox"/>	CS-LCH-210	21" – 22"	1/2"	35.50"	24.00"	6.00"	3/4"	3/4"	1"	850
<input type="checkbox"/>	CS-LCH-220	22" – 24"	1/2"	41.00"	28.00"	6.00"	3/4"	3/4"	1"	900

\* Load values shown represent a 3:1 safety factor.

## Pipe Hanging Accessories

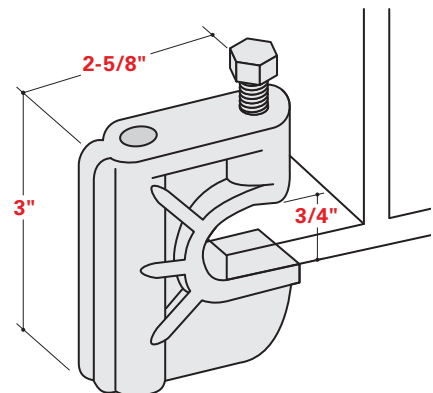
### CHAMPION STRUT™ BEAM MOLDED CLAMPS

The Champion Strut system has two types of molded beam clamps; light-duty and heavy-duty. The light-duty beam clamp has a 3/4" jaw opening and is available for both 3/8" and 1/2" threaded rod sizes and is not available with a "I" beam securing beam clip. The heavy-duty beam clamp has a 1" jaw opening and is available for 3/8", 1/2" and 5/8" threaded rod sizes. The heavy-duty beam clamp can be combined with the "I" beam securing beam clip for additional stability. Both the light-duty and heavy-duty beam clamps are provided with a 316 stainless steel hex head set screw.

### CHAMPION LIGHT-DUTY MOLDED BEAM CLAMP

	ITEM NO	THREADED ROD SIZE (IN)	THREAD SHEAR (LBS)	TORQUE (FT/LBS)
<input type="checkbox"/>	CS-BC-375	3/8"	400	10
<input type="checkbox"/>	CS-BC-500	1/2"	400	10

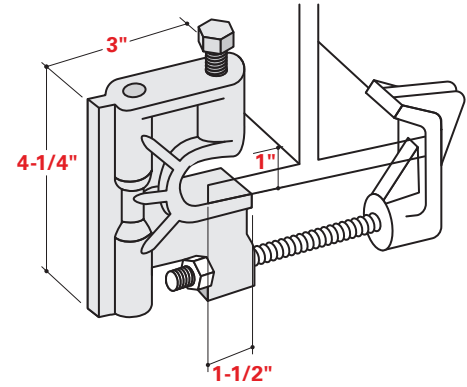
\* Load values shown represent a 3:1 safety factor



### CHAMPION HEAVY-DUTY MOLDED BEAM CLAMP

	ITEM NO	THREADED ROD SIZE (IN)	THREAD SHEAR (LBS)	TORQUE (FT/LBS)
<input type="checkbox"/>	CS-BCH-375	3/8"	500	10
<input type="checkbox"/>	CS-BCH-500	1/2"	500	10
<input type="checkbox"/>	CS-BCH-625	5/8"	500	10

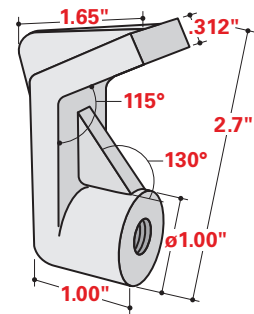
\* Load values shown represent a 3:1 safety factor.



### CHAMPION STRUT™ MOLDED BEAM CLAMP CLIP

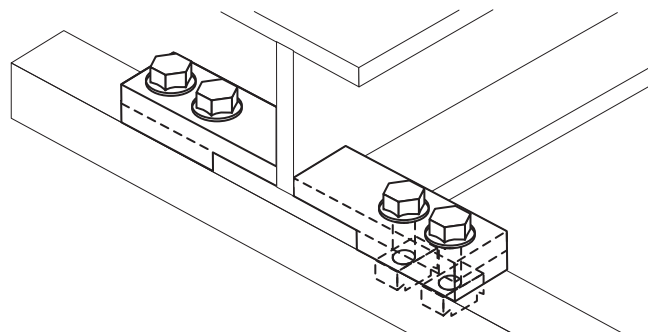
The molded beam clamp clip is available as an accessory item for the heavy-duty beam clamp. The beam clamp clip is designed to prevent any beam clamp movement that may be caused by vibration.

	ITEM NO	THREADED ROD SIZE (IN)
<input type="checkbox"/>	CS-BCC-375	3/8"



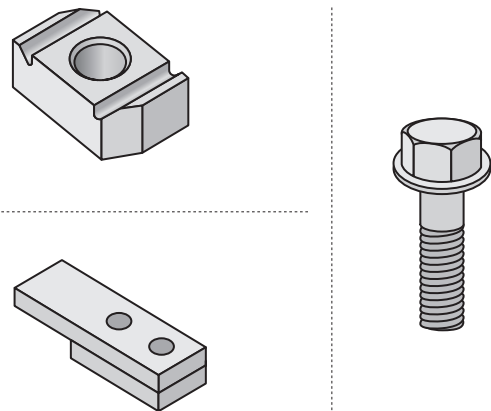
### CHAMPION STRUT™ FABRICATED BEAM CLAMPS

The fabricated beam clamp consists of a combination of parts (1/2" hex head flange bolt and 1/2" CS-CN500 channel nut) available in the Champion Strut system. The clips can be supplied in either polyester or vinyl ester fiberglass materials.



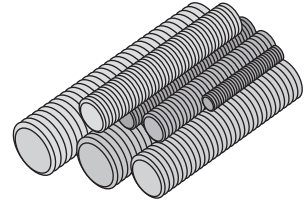
	ITEM NO	FLANGE THICKNESS	MATERIAL TYPE	THREAD SHEAR (LBS)	TORQUE (FT/LBS)
<input type="checkbox"/>	CS-FBC-250P	1/4"	Polyester	500	10
<input type="checkbox"/>	CS-FBC-250V	1/4"	Vinyl Ester	500	10
<input type="checkbox"/>	CS-FBC-375P	3/8"	Polyester	500	10
<input type="checkbox"/>	CS-FBC-375V	3/8"	Vinyl Ester	500	10
<input type="checkbox"/>	CS-FBC-500P	1/2"	Polyester	500	10
<input type="checkbox"/>	CS-FBC-500V	1/2"	Vinyl Ester	500	10

\* Load values shown represent a 3:1 safety factor.



## CHAMPION STRUT™ FIBERGLASS THREADED ROD

Fiberglass threaded rods are typically used to construct trapeze hangers from Champion Strut fiberglass channels. Champion Strut threaded rods are manufactured from pultruded vinyl ester resin rod and are grey in color. The threaded rod is supplied in both 4- and 8-ft lengths.



	ITEM NO	SIZE (IN)	LENGTH (FT)	THREAD SHEAR (LBS)	TORQUE (FT/LBS)
<input type="checkbox"/>	CS-TR-375-4	3/8"	4 ft	800	5
<input type="checkbox"/>	CS-TR-375-8	3/8"	8 ft	800	5
<input type="checkbox"/>	CS-TR-500-4	1/2"	4 ft	870	10
<input type="checkbox"/>	CS-TR-500-8	1/2"	8 ft	870	10
<input type="checkbox"/>	CS-TR-625-4	5/8"	4 ft	1,500	40
<input type="checkbox"/>	CS-TR-625-8	5/8"	8 ft	1,500	40

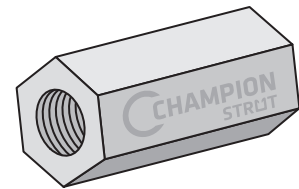
\* Load values shown represent a 3:1 safety factor.

PROPERTIES	3/8" – 16 UNC	1/2" – 13 UNC	5/8" – 11 UNC
Thread shear strength using fiberglass nut in tensile (lbs)	1,250	2,500	3,800
Transverse shear on threaded rod – double shear ASTM B-565 (load lb)	4,200	7,400	11,600
Transverse shear on threaded rod – single shear (load lb)	1,600	2,600	3,800
Compressive strength – longitudinal ASTM D-695 (psi)	55,000	55,000	55,000
Flexural strength ASTM D-790 (psi)	60,000	60,000	60,000
Flexural modulus ASTM D-790 (psi x 10 <sup>6</sup> )	2.0 x 10 <sup>6</sup>	2.0 x 10 <sup>6</sup>	2.0 x 10 <sup>6</sup>
Torque strength using fiberglass nut lubricated with SAE 10W30 motor oil (ft/lbs)	8	15	33
Dielectric strength ASTM D-149 (kv/in)	40	40	40
Water absorption 24-hour immersion – threaded ASTM D-570 (%)	1	1	1
Coefficient of thermal expansion – longitudinal (in/in/°F)	5 x 10 <sup>6</sup>	5 x 10 <sup>6</sup>	5 x 10 <sup>6</sup>
Max recommended operation temp, based on 50% retention of ultimate thread shear length (°F)	200	200	200
Stud weight (lb/ft)	.076	.129	.209
Flammability	Self extinguishing per UL94V-0		

Threaded rod is a proprietary combination of fiberglass and Class I vinyl ester flame-retardant resin.

## CHAMPION STRUT™ FIBERGLASS THREADED ROD COUPLERS

The Champion Strut fiberglass threaded rod couplers are designed to connect lengths of Champion Strut fiberglass threaded rod. The rod couplers are manufactured from injection molded polyurethane resin and are available for 3/8" and 1/2" threaded rod sizes.



	ITEM NO	SIZE (IN)	LENGTH (LBS)	THREAD SHEAR (FT/LBS)
<input type="checkbox"/>	CS-TRC-375	3/8"	2-1/4"	800
<input type="checkbox"/>	CS-TRC-500	1/2"	2-1/4"	870