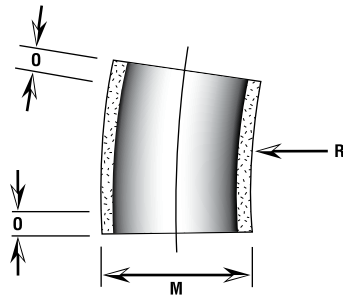


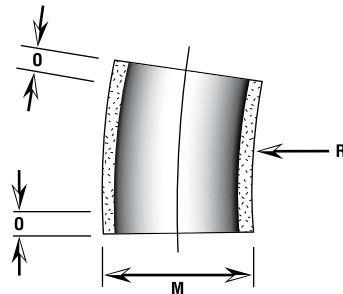
ELBOWS

Radii listed are available and larger radii can be supplied. Contact your local representative for more information. All bends are supplied with plain ends. To enhance installation, bends can be supplied with one or two bonded on couplings. Contact your local sales representative or Champion Fiberglass directly for information.



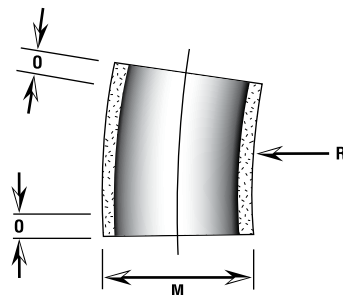
1 1/4" X 12"

Nominal Size	Type	Item No.	M	O-Tangent (min)	R - Radius (min)	Weight lbs	kg
¾	XW	07C-XW-50-P	1.41 (36)	6 (152)	12 (305)	0.71	(0.32)
1	XW	10C-XW-50-P	1.68 (43)	6 (152)	12 (305)	0.79	(0.36)
1¼	XW	12C-XW-50-P	2.02 (51)	6 (152)	12 (305)	0.96	(0.43)
1½	XW	15C-XW-50-P	2.26 (57)	6 (152)	12 (305)	1.38	(0.63)
2	XW	20D-XW-50-P	2.50 (63)	6 (152)	12 (305)	1.47	(0.67)
2½	XW	25D-XW-50-P	3.00 (76)	6 (152)	12 (305)	1.80	(0.82)
3	XW	30D-XW-50-P	4.00 (102)	6 (152)	12 (305)	2.45	(1.11)



1 1/4" X 24"

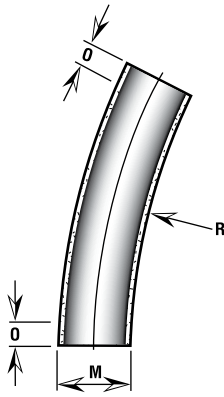
Nominal Size	Type	Item No.	M	O-Tangent (min)	R - Radius (min)	Weight lbs	kg
¾	XW	07C-XW-51-P	1.41 (36)	6 (152)	24 (610)	0.87	(0.39)
1	XW	10C-XW-51-P	1.68 (43)	6 (152)	24 (610)	0.97	(0.44)
1¼	XW	12C-XW-51-P	2.02 (51)	6 (152)	24 (610)	1.16	(0.53)
1½	XW	15C-XW-51-P	2.26 (57)	6 (152)	24 (610)	1.68	(0.76)
2	XW	20D-XW-51-P	2.50 (63)	6 (152)	24 (610)	1.79	(0.81)
2½	XW	25D-XW-51-P	3.00 (76)	6 (152)	24 (610)	2.19	(0.99)
3	XW	30D-XW-51-P	3.50 (89)	6 (152)	24 (610)	2.58	(1.17)
3½	XW	35D-XW-51-P	4.00 (102)	6 (152)	24 (610)	2.98	(1.35)
4	XW	40D-XW-51-P	4.50 (114)	6 (152)	24 (610)	3.38	(1.53)



1 1/4" X 36"

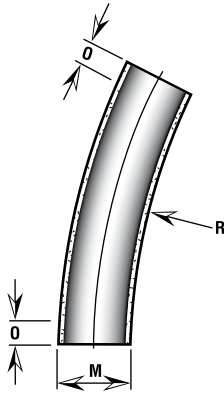
Nominal Size	Type	Item No.	M	O-Tangent (min)	R - Radius (min)	Weight lbs	kg
¾	XW	07C-XW-52-P	1.41 (36)	6 (152)	36 (914)	0.97	(0.44)
1	XW	10C-XW-52-P	1.68 (43)	6 (152)	36 (914)	1.08	(0.49)
1¼	XW	12C-XW-52-P	2.02 (51)	6 (152)	36 (914)	1.30	(0.59)
1½	XW	15C-XW-52-P	2.26 (57)	6 (152)	36 (914)	1.87	(0.85)
2	XW	20D-XW-52-P	2.50 (64)	6 (152)	36 (914)	2.00	(0.91)
2½	XW	25D-XW-52-P	3.00 (76)	6 (152)	36 (914)	2.44	(1.11)
3	XW	30D-XW-52-P	3.50 (89)	6 (152)	36 (914)	2.88	(1.31)
3½	XW	35D-XW-52-P	4.00 (102)	6 (152)	36 (914)	3.33	(1.51)
4	XW	40D-XW-52-P	4.50 (114)	6 (152)	36 (914)	3.77	(3.77)
5	XW	50D-XW-52-P	5.50 (140)	6 (152)	36 (914)	4.64	(2.11)
6	XW	60D-XW-52-P	6.50 (165)	6 (152)	36 (914)	5.53	(2.51)

ELBOWS



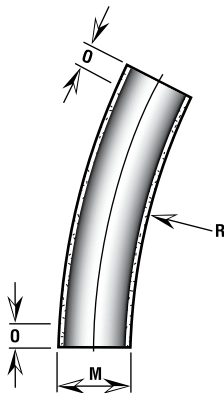
22 1/2° X 12"

Nominal Size	Type	Item No.	M	O-Tangent (min)	R - Radius (min)	Weight	
						lbs	kg
3/4	XW	07C-XW-60-P	1.41 (36)	6 (152)	12 (305)	0.87	(0.39)
1	XW	10C-XW-60-P	1.68 (43)	6 (152)	12 (305)	0.97	(0.44)
1 1/4	XW	12C-XW-60-P	2.02 (51)	6 (152)	12 (305)	1.16	(0.53)
1 1/2	XW	15C-XW-60-P	2.26 (57)	6 (152)	12 (305)	1.68	(0.76)
2	XW	20D-XW-60-P	2.50 (63)	6 (152)	12 (305)	1.79	(0.81)
2 1/2	XW	25D-XW-60-P	3.00 (76)	6 (152)	12 (305)	2.19	(0.99)
3	XW	30D-XW-60-P	3.50 (89)	6 (152)	12 (305)	2.58	(1.17)
3 1/2	XW	35D-XW-60-P	4.00 (102)	6 (152)	12 (305)	2.98	(1.35)



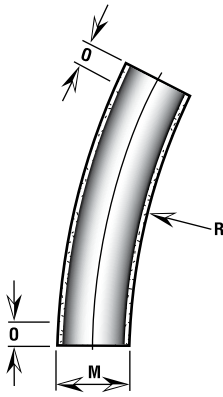
22 1/2° X 24"

Nominal Size	Type	Item No.	M	O-Tangent (min)	R - Radius (min)	Weight	
						lbs	kg
3/4	XW	07C-XW-61-P	1.41 (36)	6 (152)	24 (610)	1.07	(0.48)
1	XW	10C-XW-61-P	1.68 (43)	6 (152)	24 (610)	1.19	(0.54)
1 1/4	XW	12C-XW-61-P	2.02 (51)	6 (152)	24 (610)	1.44	(0.65)
1 1/2	XW	15C-XW-61-P	2.26 (57)	6 (152)	24 (610)	2.07	(0.94)
2	XW	20D-XW-61-P	2.50 (65)	6 (152)	24 (610)	2.21	(1.00)
2 1/2	XW	25D-XW-61-P	3.00 (76)	6 (152)	24 (610)	2.70	(1.23)
3	XW	30D-XW-61-P	3.50 (89)	6 (152)	24 (610)	3.32	(1.51)
3 1/2	XW	35D-XW-61-P	4.00 (102)	6 (152)	24 (610)	3.83	(1.74)
4	XW	40D-XW-61-P	4.50 (114)	6 (152)	24 (610)	4.34	(1.97)



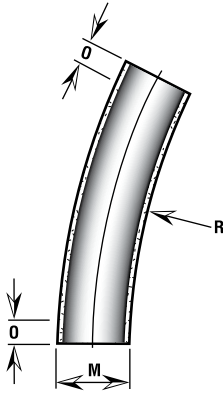
22 1/2° X 36"

Nominal Size	Type	Item No.	M	O-Tangent (min)	R - Radius (min)	Weight	
						lbs	kg
3/4	XW	07C-XW-62-P	1.41 (36)	6 (152)	36 (914)	1.27	(0.58)
1	XW	10C-XW-62-P	1.68 (43)	6 (152)	36 (914)	1.42	(0.64)
1 1/4	XW	12C-XW-62-P	2.02 (51)	6 (152)	36 (914)	1.71	(0.77)
1 1/2	XW	15C-XW-62-P	2.26 (57)	6 (152)	36 (914)	2.46	(1.12)
2	XW	20D-XW-62-P	2.50 (65)	6 (152)	36 (914)	2.63	(1.19)
2 1/2	XW	25D-XW-62-P	3.00 (76)	6 (152)	36 (914)	3.21	(1.46)
3	XW	30D-XW-62-P	3.50 (89)	6 (152)	36 (914)	3.79	(1.72)
3 1/2	XW	35D-XW-62-P	4.00 (102)	6 (152)	36 (914)	4.38	(1.99)
4	XW	40D-XW-62-P	4.50 (114)	6 (152)	36 (914)	4.96	(2.25)
5	XW	50D-XW-62-P	5.50 (140)	6 (152)	36 (914)	6.13	(2.78)
6	XW	60D-XW-62-P	6.50 (165)	6 (152)	36 (914)	7.29	(3.31)



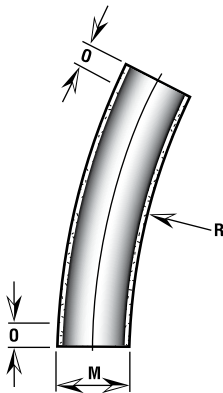
30° X 12"

Nominal Size	Type	Item No.	M	O-Tangent (min)	R - Radius (min)	Weight	
						lbs	kg
¾	XW	07C-XW-70-P	1.41 (36)	6 (152)	12 (305)	0.97	(0.44)
1	XW	10C-XW-70-P	1.68 (43)	6 (152)	12 (305)	1.08	(0.49)
1¼	XW	12C-XW-70-P	2.02 (51)	6 (152)	12 (305)	1.30	(0.59)
1½	XW	15C-XW-70-P	2.26 (57)	6 (152)	12 (305)	1.87	(0.85)
2	XW	20D-XW-70-P	2.50 (63)	6 (152)	12 (305)	2.00	(0.91)
2½	XW	25D-XW-70-P	3.00 (76)	6 (152)	12 (305)	2.44	(1.11)
3	XW	30D-XW-70-P	3.50 (89)	6 (152)	12 (305)	2.89	(1.31)
3½	XW	35D-XW-70-P	4.00 (102)	6 (152)	12 (305)	3.33	(1.51)



30° X 24"

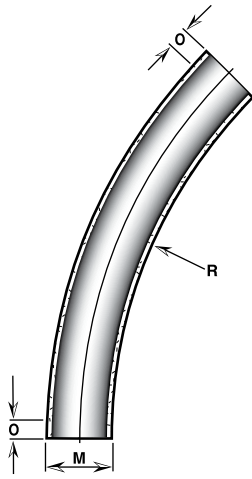
Nominal Size	Type	Item No.	M	O-Tangent (min)	R - Radius (min)	Weight	
						lbs	kg
¾	XW	07C-XW-71-P	1.41 (36)	6 (152)	24 (610)	1.22	(0.55)
1	XW	10C-XW-71-P	1.68 (43)	6 (152)	24 (610)	1.36	(0.62)
1¼	XW	12C-XW-71-P	2.02 (51)	6 (152)	24 (610)	1.64	(0.74)
1½	XW	15C-XW-71-P	2.26 (57)	6 (152)	24 (610)	2.36	(1.07)
2	XW	20D-XW-71-P	2.50 (65)	6 (152)	24 (610)	2.52	(1.14)
2½	XW	25D-XW-71-P	3.00 (76)	6 (152)	24 (610)	3.08	(1.40)
3	XW	30D-XW-71-P	3.50 (89)	6 (152)	24 (610)	3.72	(1.69)
3½	XW	35D-XW-71-P	4.00 (102)	6 (152)	24 (610)	4.30	(1.95)
4	XW	40D-XW-71-P	4.50 (114)	6 (152)	24 (610)	4.87	(2.21)



30° X 36"

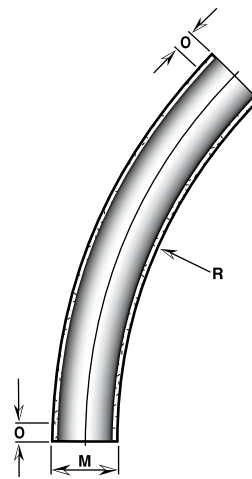
Nominal Size	Type	Item No.	M	O-Tangent (min)	R - Radius (min)	Weight	
						lbs	kg
¾	XW	07C-XW-72-P	1.41 (36)	6 (152)	36 (914)	1.52	(0.69)
1	XW	10C-XW-72-P	1.68 (43)	6 (152)	36 (914)	1.70	(0.77)
1¼	XW	12C-XW-72-P	2.02 (51)	6 (152)	36 (914)	2.05	(0.93)
1½	XW	15C-XW-72-P	2.26 (57)	6 (152)	36 (914)	2.95	(1.34)
2	XW	20D-XW-72-P	2.50 (65)	6 (152)	36 (914)	3.15	(1.43)
2½	XW	25D-XW-72-P	3.00 (76)	6 (152)	36 (914)	3.85	(1.75)
3	XW	30D-XW-72-P	3.50 (89)	6 (152)	36 (914)	4.55	(2.07)
3½	XW	35D-XW-72-P	4.00 (102)	6 (152)	36 (914)	5.25	(2.38)
4	XW	40D-XW-72-P	4.50 (114)	6 (152)	36 (914)	5.95	(2.70)
5	XW	50D-XW-72-P	5.50 (140)	6 (152)	36 (914)	7.35	(3.34)
6	XW	60D-XW-72-P	6.50 (165)	6 (152)	36 (914)	8.75	(3.97)

ELBOWS



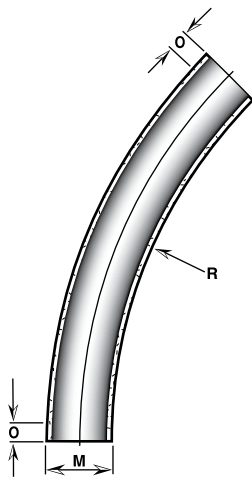
45° X 12"

Nominal Size	Type	Item No.	M	O-Tangent (min)	R - Radius (min)	Weight	
						lbs	kg
¾	XW	07C-XW-80-P	1.41 (36)	6 (152)	12 (305)	1.07	(0.48)
1	XW	10C-XW-80-P	1.68 (43)	6 (152)	12 (305)	1.19	(0.54)
1¼	XW	12C-XW-80-P	2.02 (51)	6 (152)	12 (305)	1.44	(0.65)
1½	XW	15C-XW-80-P	2.26 (57)	6 (152)	12 (305)	2.07	(0.94)
2	XW	20D-XW-80-P	2.50 (63)	6 (152)	12 (305)	2.21	(1.00)
2½	XW	25D-XW-80-P	3.00 (76)	6 (152)	12 (305)	2.70	(1.22)
3	XW	30D-XW-80-P	3.50 (89)	6 (152)	12 (305)	2.89	(1.31)
3½	XW	35D-XW-80-P	4.00 (102)	6 (152)	12 (305)	3.68	(1.67)



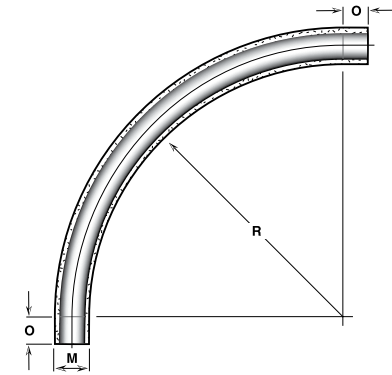
45° X 24"

Nominal Size	Type	Item No.	M	O-Tangent (min)	R - Radius (min)	Weight	
						lbs	kg
¾	XW	07C-XW-81-P	1.41 (36)	6 (152)	24 (610)	1.52	(0.69)
1	XW	10C-XW-81-P	1.68 (43)	6 (152)	24 (610)	1.70	(0.77)
1¼	XW	12C-XW-81-P	2.02 (51)	6 (152)	24 (610)	2.05	(0.93)
1½	XW	15C-XW-81-P	2.26 (57)	6 (152)	24 (610)	2.95	(1.34)
2	XW	20D-XW-81-P	2.50 (65)	6 (152)	24 (610)	3.15	(1.43)
2½	XW	25D-XW-81-P	3.00 (76)	6 (152)	24 (610)	3.85	(1.75)
3	XW	30D-XW-81-P	3.50 (89)	6 (152)	24 (610)	4.55	(2.07)
3½	XW	35D-XW-81-P	4.00 (102)	6 (152)	24 (610)	5.24	(2.38)
4	XW	40D-XW-81-P	4.50 (114)	6 (152)	24 (610)	5.95	(2.70)



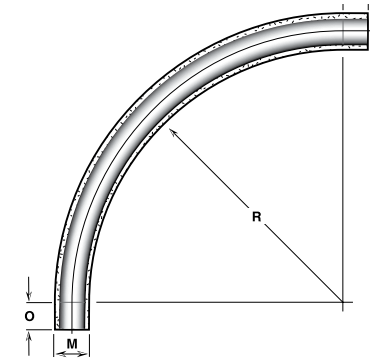
45° X 36"

Nominal Size	Type	Item No.	M	O-Tangent (min)	R - Radius (min)	Weight	
						lbs	kg
¾	XW	07C-XW-82-P	1.41 (36)	6 (152)	36 (914)	2.03	(0.92)
1	XW	10C-XW-82-P	1.68 (43)	6 (152)	36 (914)	2.27	(1.03)
1¼	XW	12C-XW-82-P	2.02 (51)	6 (152)	36 (914)	2.73	(1.24)
1½	XW	15C-XW-82-P	2.26 (57)	6 (152)	36 (914)	3.93	(1.78)
2	XW	20D-XW-82-P	2.50 (65)	6 (152)	36 (914)	4.20	(1.91)
2½	XW	25D-XW-82-P	3.00 (76)	6 (152)	36 (914)	5.13	(2.33)
3	XW	30D-XW-82-P	3.50 (89)	6 (152)	36 (914)	6.07	(2.76)
3½	XW	35D-XW-82-P	4.00 (102)	6 (152)	36 (914)	6.99	(3.18)
4	XW	40D-XW-82-P	4.59 (114)	6 (152)	36 (914)	7.93	(3.60)
5	XW	50D-XW-82-P	5.50 (140)	6 (152)	36 (914)	9.79	(4.44)
6	XW	60D-XW-82-P	6.50 (165)	6 (152)	36 (914)	11.65	(5.29)



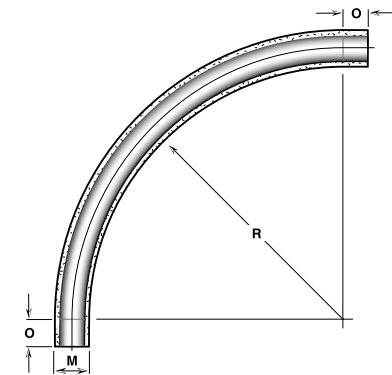
90° X 12"

Nominal Size	Type	Item No.	M	O-Tangent (min)	R - Radius (min)	Weight lbs	kg
¾	XW	07C-XW-90-P	1.41 (36)	6 (152)	12 (305)	1.52 (0.69)	
1	XW	10C-XW-90-P	1.68 (43)	6 (152)	12 (305)	1.70 (0.77)	
1¼	XW	12C-XW-90-P	2.02 (51)	6 (152)	12 (305)	2.05 (0.93)	
1½	XW	15C-XW-90-P	2.26 (57)	6 (152)	12 (305)	2.95 (1.34)	
2	XW	20D-XW-90-P	2.50 (63)	6 (152)	12 (305)	3.15 (1.43)	
2½	XW	25D-XW-90-P	3.00 (76)	6 (152)	12 (305)	3.85 (1.75)	
3	XW	30D-XW-90-P	3.50 (89)	6 (152)	12 (305)	4.55 (2.06)	
3½	XW	35D-XW-90-P	4.00 (102)	6 (152)	12 (305)	5.25 (2.38)	



90° X 24"

Nominal Size	Type	Item No.	M	O-Tangent (min)	R - Radius (min)	Weight lbs	kg
¾	XW	07C-XW-91-P	1.41 (36)	6 (152)	24 (610)	2.54 (1.15)	
1	XW	10C-XW-91-P	1.68 (43)	6 (152)	24 (610)	2.83 (1.29)	
1¼	XW	12C-XW-91-P	2.02 (51)	6 (152)	24 (610)	3.42 (1.55)	
1½	XW	15C-XW-91-P	2.26 (57)	6 (152)	24 (610)	4.92 (2.23)	
2	XW	20D-XW-91-P	2.50 (65)	6 (152)	24 (610)	5.25 (2.38)	
2½	XW	25D-XW-91-P	3.00 (76)	6 (152)	24 (610)	6.42 (2.92)	
3	XW	30D-XW-91-P	3.50 (89)	6 (152)	24 (610)	7.58 (3.44)	
3½	XW	35D-XW-91-P	4.00 (102)	6 (152)	24 (610)	8.76 (3.98)	
4	XW	40D-XW-91-P	4.50 (114)	6 (152)	24 (610)	9.92 (4.50)	



90° X 36"

Nominal Size	Type	Item No.	M	O-Tangent (min)	R - Radius (min)	Weight lbs	kg
¾	XW	07C-XW-92-P	1.41 (36)	6 (152)	36 (914)	3.46 (1.57)	
1	XW	10C-XW-92-P	1.68 (43)	6 (152)	36 (914)	3.85 (1.75)	
1¼	XW	12C-XW-92-P	2.02 (51)	6 (152)	36 (914)	4.65 (2.11)	
1½	XW	15C-XW-92-P	2.26 (57)	6 (152)	36 (914)	6.69 (3.04)	
2	XW	20D-XW-92-P	2.50 (65)	6 (152)	36 (914)	7.14 (3.24)	
2½	XW	25D-XW-92-P	3.00 (76)	6 (152)	36 (914)	8.73 (3.96)	
3	XW	30D-XW-92-P	3.50 (89)	6 (152)	36 (914)	10.31 (4.68)	
3½	XW	35D-XW-92-P	4.00 (102)	6 (152)	36 (914)	11.90 (5.40)	
4	XW	40D-XW-92-P	4.50 (114)	6 (152)	36 (914)	13.49 (6.12)	
5	XW	50D-XW-92-P	5.50 (140)	6 (152)	36 (914)	16.79 (7.56)	
6	XW	60D-XW-92-P	6.50 (165)	6 (152)	36 (914)	19.99 (9.00)	

Note: For different radii, degree and/or length for any elbow not shown in this catalog, please contact your local sales representative or the Champion Fiberglass office.

XW STANDARD RADIUS 90° ELBOWS

Standard radius elbows are available in 11¼, 22½, 30 and 45 degree bends as well. Please contact factory for additional information regarding pricing, dimensions, weights and part numbers.

Nominal Size	Type	Item No.	M	O-Tangent (min)	R - Radius (min)	Weight lbs	kg
¾	XW	07C-XW-9SR-P	1.05 (27)	6 (152)	4.50 (114)	.98 (0.4)	
1	XW	10C-XW-9SR-P	1.32 (33)	6 (152)	5.75 (146)	1.19 (0.5)	
1¼	XW	12C-XW-9SR-P	1.66 (42)	6 (152)	7.25 (184)	1.62 (0.7)	
1½	XW	15C-XW-9SR-P	1.90 (48)	6 (152)	8.25 (210)	2.42 (1.1)	
2	XW	20D-XW-9SR-P	2.37 (60)	6 (152)	9.50 (241)	2.87 (1.3)	

