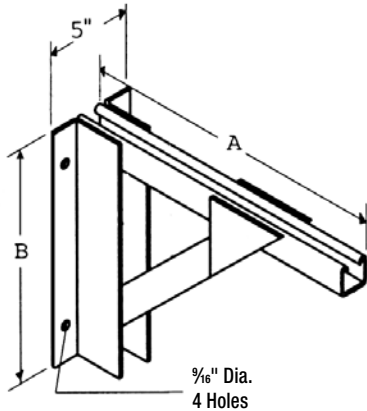


BEAM CLAMPS

Allowable load = 300 lbs.
 Recommended safety factor of 3.
 Set screws included with clamps.

Vinyl Ester Beam Clamps	Part No.
Single for 3/8" FRP Threaded Rod	CS-BC-3/8
Single for 1/2" FRP Threaded Rod	CS-BC-1/2
Double for 3/8" FRP Threaded Rod	CS-DC-3/8
Double for 1/2" FRP Threaded Rod	CS-DC-1/2

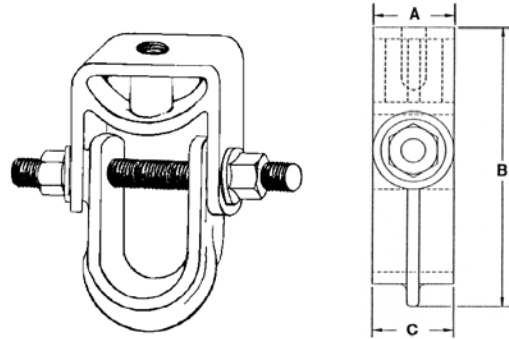


SUPPORT RACKS

Part No.	Tray Width	Dimensions in. (mm)	
		A	B
CS-SR-06-P/V*	6 (152)	10 (254)	10 (254)
CS-SR-09-P/V*	9 (229)	13 (330)	12 (305)
CS-SR-12-P/V*	12 (305)	16 (406)	13 (330)
CS-SR-18-P/V*	18 (457)	22 (559)	16 (406)
CS-SR-24-P/V*	24 (610)	28 (711)	19 (483)
CS-SR-30-P/V*	30 (762)	34 (864)	22 (559)
CS-SR-36-P/V*	36 (914)	40 (1016)	25 (635)

Allowable load = 750 lbs.-based on total load, uniformly distributed over the width of the rack. Safety factor = 2

* Use P for polyester resin and V for vinyl ester resin.



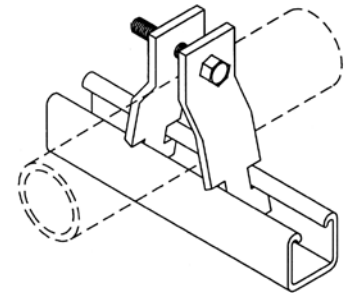
FIBERGLASS CLEVIS HANGERS

Design loads have a 3:1 safety factor at 120°F. Insulation may be required at higher temperatures.

Part No.	Nominal Diameter in.	Max. Pipe OD in. (mm)	Hanger Rod in. (mm)	Maximum Load lbs. (kg)	A in. (mm)	B in. (mm)	C in. (mm)
CS-CH-3/4	3/4	1 (25)	1/2 (13)	200 (90)	2.53 (64)	4.52 (115)	1.25 (32)
CS-CH-1	1	1 1/2 (38)	1/2 (13)	200 (90)	2.53 (64)	4.52 (115)	1.25 (32)
CS-CH-1.25	1 1/4	1 3/4 (44)	1/2 (13)	200 (90)	3.06 (78)	5.14 (131)	1.25 (32)
CS-CH-1.5	1 1/2	2 (51)	1/2 (13)	200 (90)	3.06 (78)	5.14 (131)	1.25 (32)
CS-CH-2	2	2 3/4 (67)	1/2 (13)	300 (135)	3.68 (93)	6.52 (166)	1.25 (32)
CS-CH-2.5	2 1/2	3 1/4 (83)	1/2 (13)	400 (180)	3.68 (93)	6.52 (166)	1.25 (32)
CS-CH-3	3	3 3/4 (98)	1/2 (13)	600 (270)	7.04 (179)	10.00 (254)	1.50 (38)
CS-CH-4	4	5 1/2 (130)	1/2 (13)	600 (270)	7.04 (179)	10.00 (254)	1.50 (38)
CS-CH-6	6	7 1/2 (181)	1/2 (13)	600 (270)	9.36 (238)	12.33 (313)	2.04 (52)

"NON-METALLIC" UNIVERSAL PIPE CLAMPS

For rigid steel, PVC coated steel, PVC schedule 40 & 80 and filament wound epoxy fiberglass conduit (IPS only). Made from a special grade of glass reinforced vinyl ester resin. Standard fasteners are non-metallic bolts and hex nuts. See page 11-12 in this catalog.

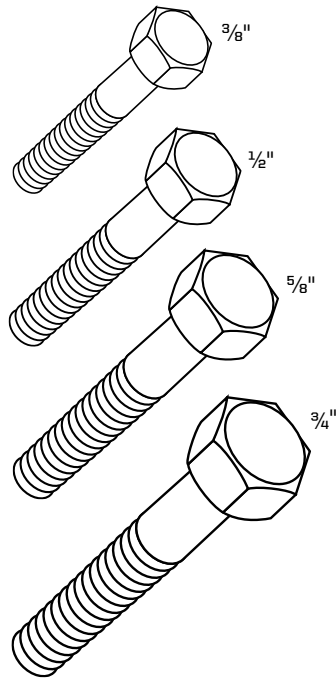


If stainless steel fasteners are preferred, add letter "S" to part nos. below.

Part No.	Pipe Size	Conduit Outside Dimensions in. (mm)			
		PVC Schedule 40 & 80	PVC Coated Steel	Rigid Steel	Epoxy Fiberglass IPS Type*
CS-PC-3/4-V	3/4	1.050 (27)	1.130 (29)	1.050 (27)	1.050 (27)
CS-PC-1-V	1	1.315 (33)	1.395 (35)	1.315 (33)	1.315 (33)
CS-PC-1.25-V	1 1/4	1.660 (42)	1.740 (44)	1.660 (42)	1.660 (42)
CS-PC-1.5-V	1 1/2	1.900 (48)	1.980 (50)	1.900 (48)	1.900 (48)
CS-PC-2-V	2	2.375 (60)	2.455 (62)	2.375 (60)	2.375 (60)
CS-PC-2.5-V	2 1/2	2.875 (73)	2.950 (75)	2.875 (73)	2.875 (73)
CS-PC-3-V	3	3.500 (89)	3.580 (91)	3.500 (89)	3.500 (89)
CS-PC-3.5-V	3 1/2	4.000 (102)	4.090 (104)	4.000 (102)	4.000 (102)
CS-PC-4-V	4	4.500 (114)	4.580 (116)	4.500 (114)	4.460 (113)

* Epoxy Fiberglass conduit, tubular dimensions (ID Type), does not fit into standard pipe clamps. Please consult factory.

Part No.	Description
CS-B- 3/8-1	3/8" x 1"
CS-B- 3/8-1 1/4	3/8" x 1 1/4"
CS-B- 3/8-1 1/2	3/8" x 1 1/2"
CS-B- 3/8-2	3/8" x 2"
CS-B- 3/8-2 1/2	3/8" x 2 1/2"
CS-B- 3/8-3	3/8" x 3"
CS-B- 1/2-1	1/2" x 1"
CS-B- 1/2-1 1/4	1/2" x 1 1/4"
CS-B- 1/2-1 1/2	1/2" x 1 1/2"
CS-B- 1/2-2	1/2" x 2"
CS-B- 1/2-2 1/2	1/2" x 2 1/2"
CS-B- 1/2-3	1/2" x 3"
CS-B- 1/2-3 1/2	1/2" x 3 1/2"
CS-B- 1/2-4	1/2" x 4"
CS-B- 1/2-5	1/2" x 5"
CS-B- 1/2-6	1/2" x 6"
CS-B- 5/8-1 1/4	5/8" x 1 1/4"
CS-B- 5/8-1 1/2	5/8" x 1 1/2"
CS-B- 5/8-2	5/8" x 2"
CS-B- 5/8-2 1/2	5/8" x 2 1/2"
CS-B- 5/8-3	5/8" x 3"
CS-B- 5/8-3 1/2	5/8" x 3 1/2"
CS-B- 5/8-4	5/8" x 4"
CS-B- 5/8-5	5/8" x 5"
CS-B- 5/8-6	5/8" x 6"
CS-B- 3/4-1 1/2	3/4" x 1 1/2"
CS-B- 3/4-2	3/4" x 2"
CS-B- 3/4-2 1/2	3/4" x 2 1/2"
CS-B- 3/4-3	3/4" x 3"
CS-B- 3/4-3 1/2	3/4" x 3 1/2"
CS-B- 3/4-4	3/4" x 4"
CS-B- 3/4-5	3/4" x 5"
CS-B- 3/4-6	3/4" x 6"



CHAMPION BOLT

Sizes: 3/8", 1/2", 5/8", 3/4"
 Material: Long glass fiber reinforced polyurethane.



CS-SEAL-C

**CHAMPION SEAL
 FIELD CUTTING SEALANT**

- Seals exposed fibers after field cuts
- Champion Seal exceeds vinyl ester material in corrosion resistance
- Restores gloss and luster to weathered fiberglass
- Seals exposed FRP threads after installation of threaded rod and hex nuts

Available in 12 oz spray

STRUT TO BEAM CLAMP ASSEMBLY

CHAMPION STRUT® Beam Clamps allow easy attachment of Champion strut assemblies to a wide range of structural members. They are made from glass reinforced vinyl ester. To estimate the length of strut required, take the width of the I-beam and add 5". Maximum recommended loading: 200 lbs.

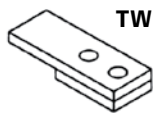
EACH ASSEMBLY INCLUDES:



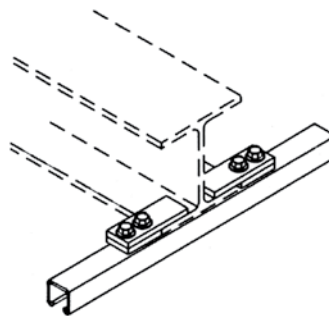
FOUR CHANNEL NUTS



FOUR FIBERGLASS BOLTS

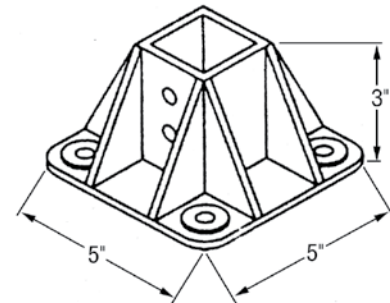


TWO CLIPS



DOUBLE BOLT ASSEMBLY

Part No.	Assembly Description	Std. Qty.
CS-IC-3/8	Double bolt for 3/8"	1 assembly
CS-IC-1/2	Double bolt for 1/2"	1 assembly



STRUT POST BASE

Part No.	Size
CS-PB-S	Post Base for S-15 Strut
CS-PB-D	Post Base for S-15D Strut