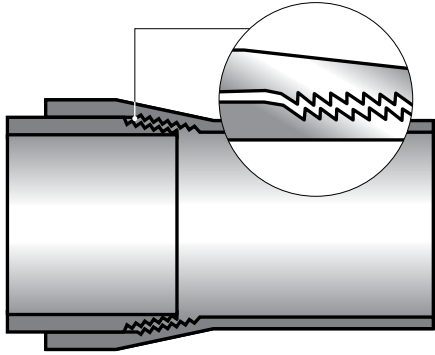


Conduit Joining Systems



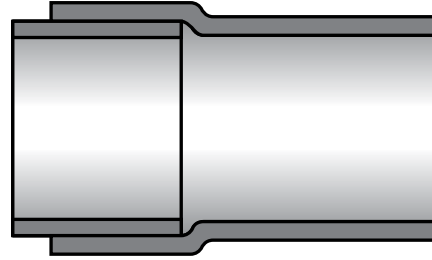
Interference Joint

The Interference Joint connection can be used for below ground concrete encasement applications.

Some features of the Interference Joint connection are:

- Consists of bell and spigot.
- For easy installation, spigot end features buttress-type male threads; belled end features female mating threads.
- Tapered threads make for quick, easy connection when properly seated.
- High pull-out strength of 1,000 lbs without adhesive.
- Concrete tight joint - not water tight.
- The Interference Joint connection is provided with the following conduits:
 - IPS conduits 2" through 8" diameters
 - ID conduits 2" through 6" diameters
- The Interference Joint connection will provide a concrete tight connection without the use of epoxy adhesive.
- The Interference Joint connection can be used for above ground applications when conduit sections are connected with epoxy adhesive (Tight Lock Joint).

To learn more about how to assemble the Interference Joint connection, please see the installation video on our website.



Straight Socket Joint

The Straight Socket Joint connection can be used for above and below ground applications.

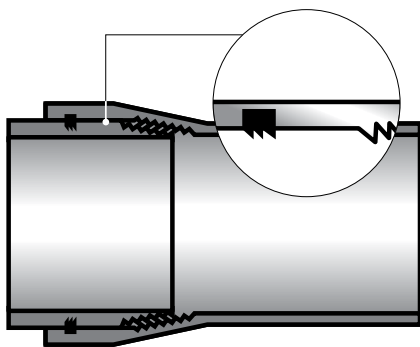
Some features of the Straight Socket Joint connection are:

- Consists of bell and spigot.
- Spigot easily slides into belled end.
- Intended for use with Champion Mix® epoxy adhesive.
- High pull-out strength.
- Concrete tight and water tight joint.
- Straight Socket joining system is provided with the following conduits:
 - IPS conduits 3/4" through 1-1/2" diameters*
 - ID conduits 8" through 12" diameters**
 - XW conduits - all diameters

To learn more about how to assemble the Straight Socket Joint connection, please see the installation video on our website.

* Straight Socket Joint connection is available for sizes 2" through 8" upon request, otherwise interference joint provided when available.

** Straight Socket Joint connection is available for sizes 2" through 6" upon request, otherwise interference joint provided when available.



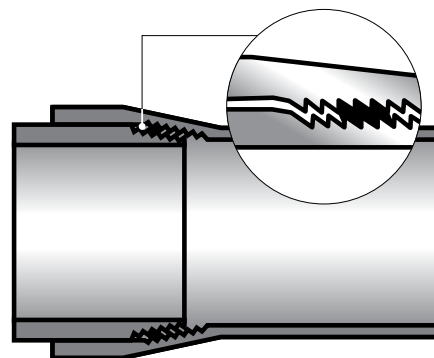
Gasket Joint (Triple Seal)

The Gasket Joint connection can be used with direct burial or concrete embedment underground applications.

Some features of the Gasket Joint connection are:

- Consists of bell and spigot.
- Belled end has Triple Seal gasket with Interference Joint.
- Gasket seats into permanent groove wound into the conduit.
- Concrete tight and water tight joint.
- High pull-out strength of 2,000 lbs.
- Pull-out strength of 500 lbs without threads.
- The Gasket Joint connection is provided with the following conduits:
 - IPS conduits 3/4" through 8" diameters
 - ID conduits 2" through 6" diameters

To learn more about how to assemble the Gasket Joint connection, please see the installation video on our website.



Tight Lock Joint

The Tight Lock Joint connection is a permanent Interference Joint connection that utilizes the Champion Mix® epoxy adhesive. This connection can be used for above or below ground applications.

- The adhesive is applied to the spigot end of the conduit and inserted into the belled conduit end. Once cured, the adhesive joint has a tensile strength that surpasses the conduit glass substrate.
- The Tight Lock Joint connection provides a water tight connection that can be used in above and below ground applications.
- The Tight Lock Joint connection is only available in IPS and ID conduits sizes 2" and above on SW, MW and HW epoxy resin conduits.
- The Tight Lock Joint connection is available exclusively from Champion Fiberglass.

To learn more about how to assemble the Tight Lock Joint connection, please see the installation video on our website.