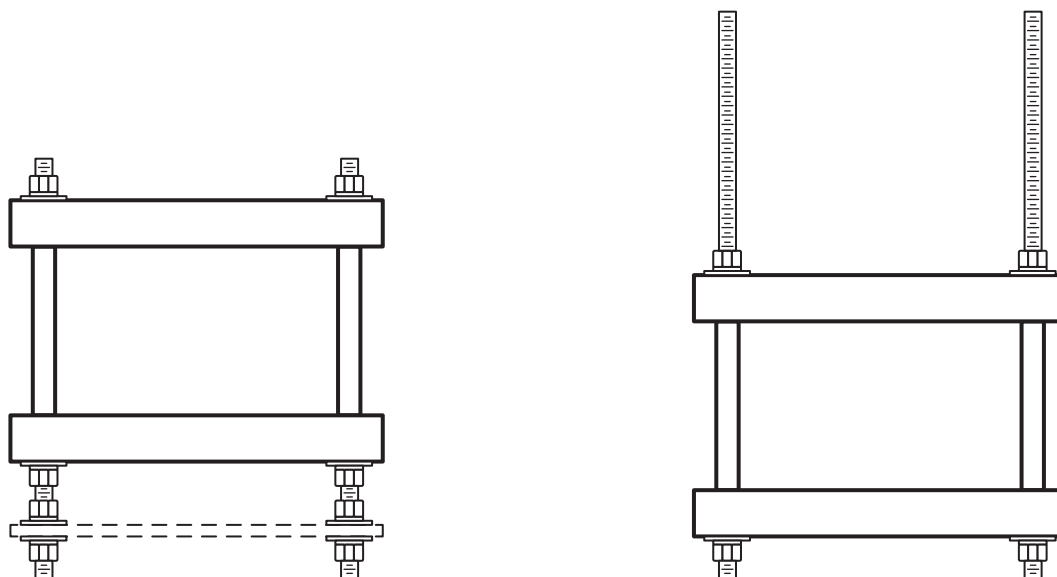


Bridge Drain Hangers



Champion Fiberglass is the leading manufacturer of fiberglass bridge hangers. For over 28 years, our hangers have been recognized for their ability to make your installations easier and more cost-efficient. You'll find them on bridge and DOT applications all over the world and as every bridge application is unique, Champion Fiberglass will work with you to provide specialized designs if needed.

Features

All hangers are constructed from the following grey polyester fiberglass components; special colors are available upon request.

- 1/4" x 2" FRP square tube
- 1/4" x 3" FRP square tube
- 1/4" x 4" FRP square tube
- 1/4" x 2" x 4" rectangular tube
- 1/4" x 3-1/2" x 5-1/2" rectangular tube

Steel Bridge Drain Hanger Rods can be supplied in the following 3/4" diameter options.

- 3/4"-10 HDG
- 3/4"-10-304 stainless steel
- 3/4"-10-316 stainless steel

Domestic steel must be specified if required.

Installation

- Champion Fiberglass will provide all information and technical assistance required.
- Fiberglass hangers are recommended for RTRP Bridge Drain to prevent abrasion during expansion/contraction.
- Bridge Hangers can be installed and used with all bridge drain material types.
- Fiberglass Bridge Drain should not be supported directly on or in contact with steel hangers or components.

HANGER TYPES

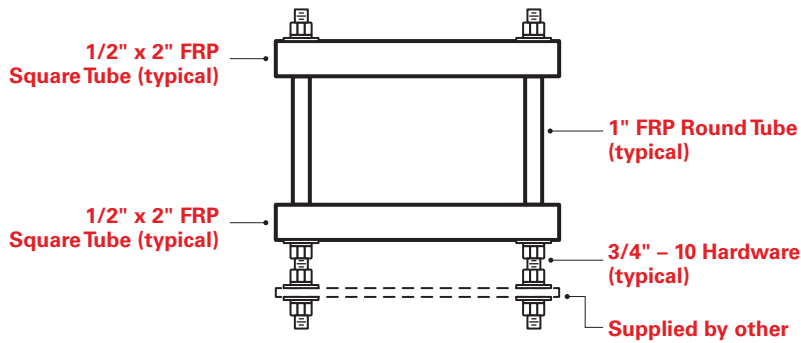
The Champion Fiberglass Bridge Hanger system consists of two hanger types, Base Mount or Intermediate Hangers.

Base Mount Hangers

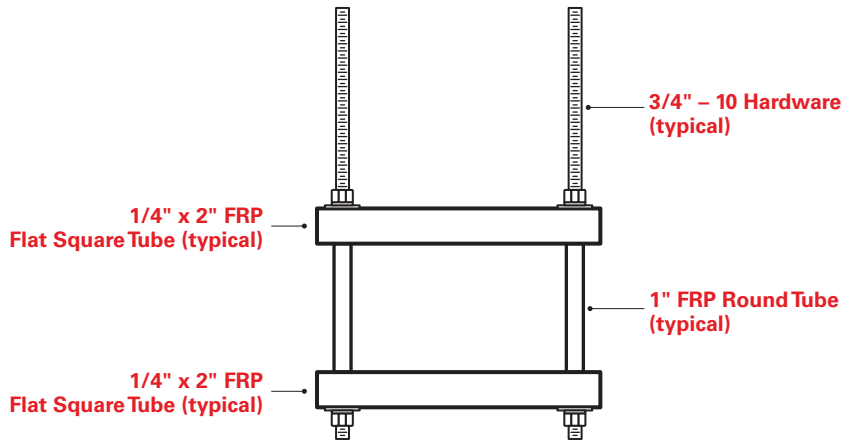
The Base Mount Hangers are constructed from the same components as the Intermediate Hangers, but are configured to be supported by the structure instead of hanging from the structure.

Intermediate Hangers

The Intermediate Hangers are the most widely used “under-bridge” type of conduit and bridge drain support hangers. The Intermediate Hanger consists of a trapeze hanging system comprised of fiberglass flat bar, (and/or) fiberglass square tube and steel threaded rods that are attached to the underside of the bridge. Fiberglass hangers are recommended for RTRP (Reinforced Thermosetting Resin Pipe) bridge drain to prevent abrasion of bridge drain during expansion/contraction.



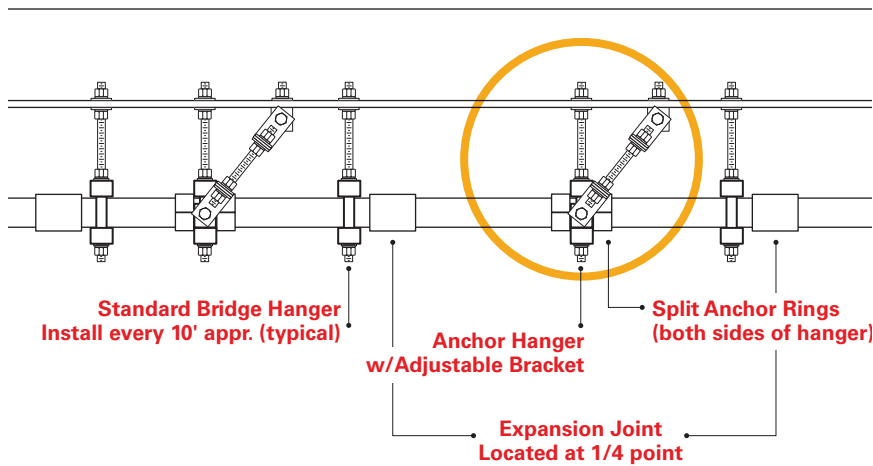
Base Mount Hanger
Square Tube Top and Bottom



Intermediate Hanger/
Square Tube Top and Bottom

Anchor Hangers

The Anchor Hanger is the same construction as the Intermediate Hanger except that each hanger contains adjustable extending all-thread cross-members that are used to brace the hanger to the bridge structure. Anchor Hangers are recommended every 200 ft. and used with split ring anchors to lock the fiberglass bridge drain into place. Locking the bridge drain into place allows the bridge drain system expansion joints to function as designed.



Location of Supports

The actual location of the hanger supports should be as close as possible near the quarter point of the span. In a continuous span, the quarter point of the span has the least mechanical stress therefore it is the ideal location for all types of supports. The actual connection of two bridge drain sections is the worst area to install a support. In a continuous span such as bridge drain, this is the area of highest mechanical stress and will cause the most deflection.

