



# GET NO BURN-THROUGH XPRESS ELBOWS FAST

KEEP PROJECTS ON TRACK WITH  
48-HOUR SHIPPING



**12**

**RADIUS**

2" IPS x 90

**24**

**RADIUS**

2/3/4" IPS x 90

**36/48/  
60**

**RADIUS**

2/3/4/5/6" IPS x 90

## Champion Fiberglass Elbows promote successful outcomes with:

- > Lighter weight than GRC and PVC-coated steel
- > High dielectric strength
- > Lower material and installation cost
- > Streamlined installation
- > Low coefficient of friction that leads to no burn-through

For a complete catalog, go to: [championfiberglass.com](http://championfiberglass.com)

Contact your local Champion Fiberglass representative at:



## Orders of 200 Pieces or Less Ship Within 48 Hours

Champion Fiberglass offers 48-hour or less shipping for our most popular elbows. Choose from plain-ended or PVC deep-socket coupling transitions in the above sizes.

Champion Fiberglass manufactures the most dependable conduit, strut and hangers in our class. We go farther, exceed quality standards and create installations that are built to last. Champion Fiberglass helps you Do More on every project.



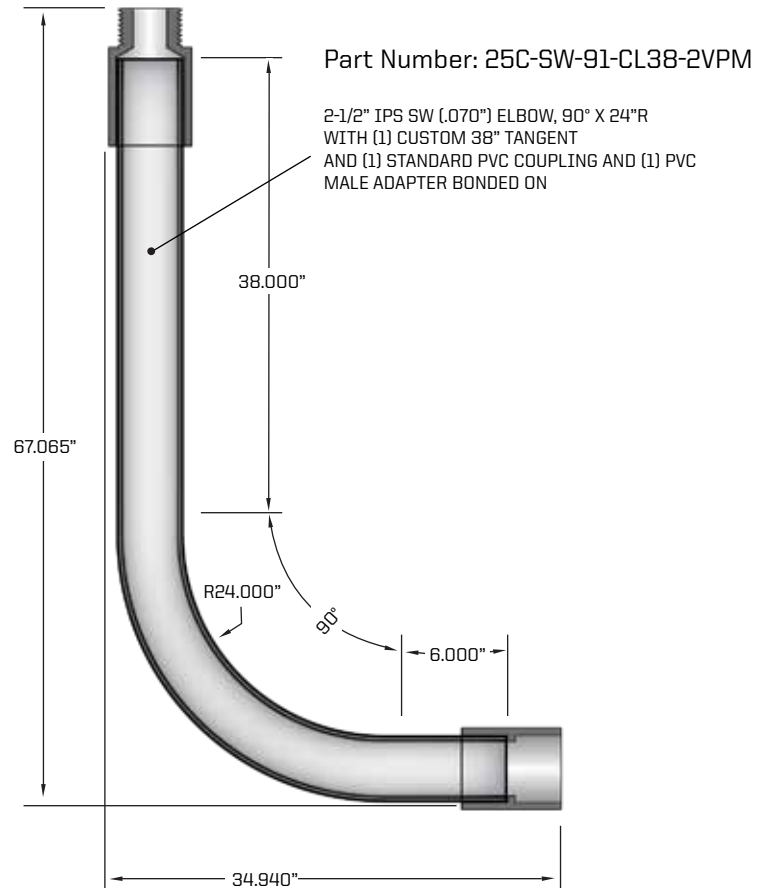
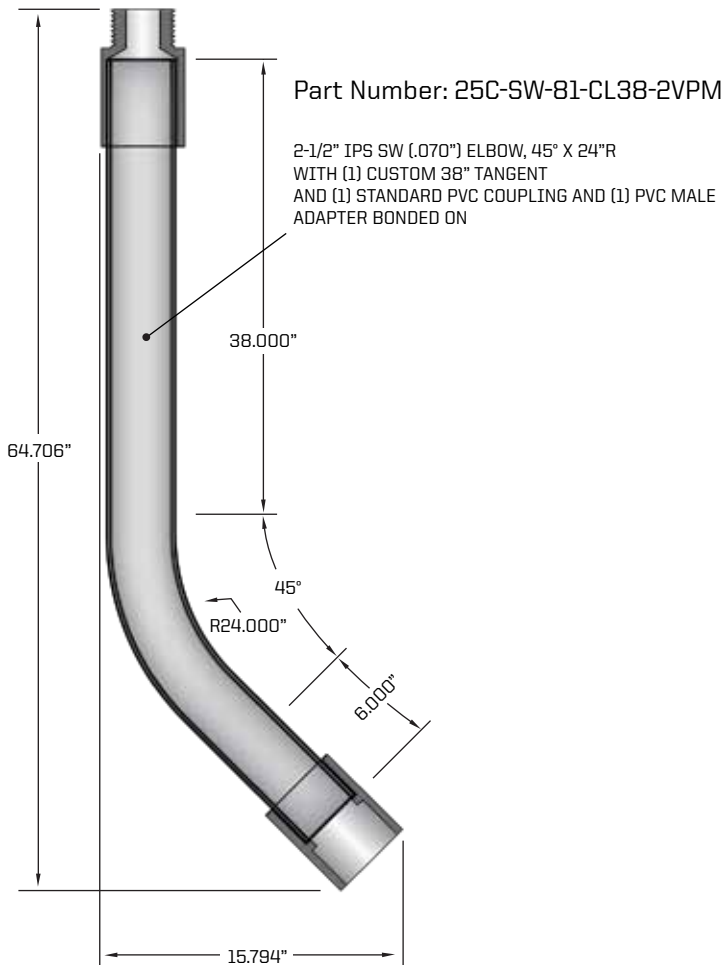
MADE IN THE  
★ USA ★

CERTIFIED  
ISO 9001 • ISO 14001 • ISO 45001

[championfiberglass.com](http://championfiberglass.com)

# XPRESS UTILITY RISERS

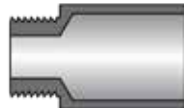
Champion now offers Xpress Utility Risers for quick shipment! These Utility Risers provide corrosion-resistant protection for underground utility services cabling where they emerge from the ground. Fiberglass Utility Risers eliminate the labor & material costs commonly associated with wrapping GRC risers with costly non-corrosive tape. The lightweight, inexpensive cost as well as the labor installation savings make Champion Fiberglass Xpress Utility Risers the right choice! Xpress Utility Risers orders can ship in 48 hours or less! Our Xpress Utility Risers are provided with a standard PVC sleeve coupling and PVC male adapter transitions.



Alternate transitions (as shown below) and lengths are available but may alter the lead times.



Straight PVC Deep Socket Coupling



Male Adapters (PVC or Fiberglass)



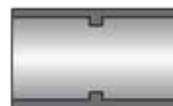
Female Adapters (PVC or Fiberglass)



PVC Stubs



Deep Socket PVC Coupling bonded onto fiberglass riser



PVC Coupling