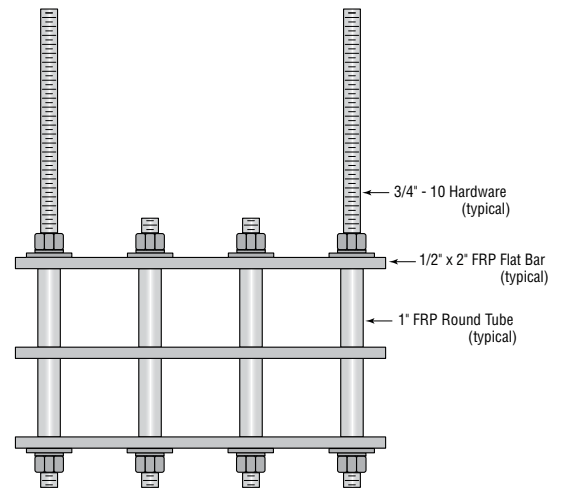


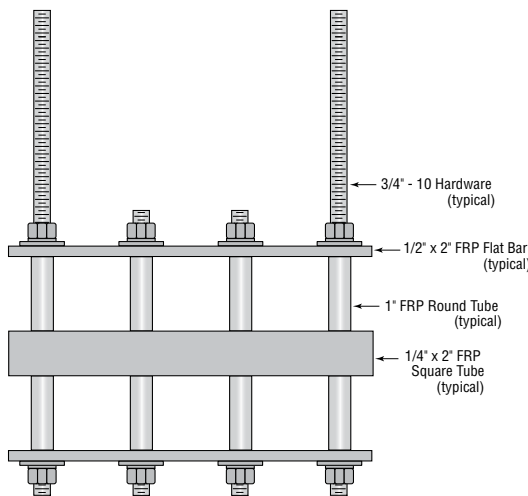
INTERMEDIATE HANGER - STANDARD & ALTERNATE CONFIGURATIONS

Champion Fiberglass Hangers are offered in standard and alternate configurations. All of the components that can come in contact with the fiberglass conduit are made from fiberglass. Standard and alternate components used for a Champion Hanger include combinations of the following:

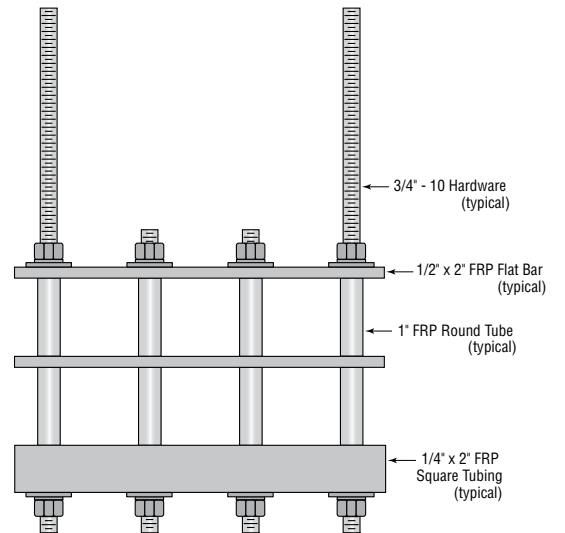
- ½" Thick x 2" wide fiberglass flatbar (horizontal crossmember). *An alternate: the flatbar is substituted for 2" x 2" x ¼" fiberglass square tubing for increased strength.*
- ¾" Hot dipped galvanized threaded rod (for trapeze hanging) with necessary hardware. *An alternate: stainless steel threaded rod is used instead, where chlorine (incl. salt) may be present.*
- 1" fiberglass tubing, sleeved on the outside of the threaded rod



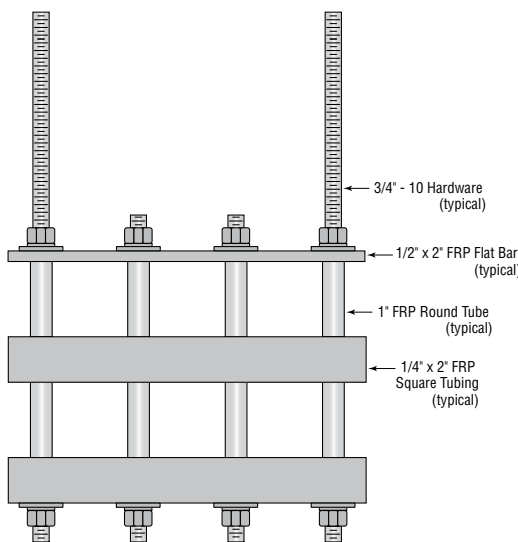
STANDARD INTERMEDIATE HANGER



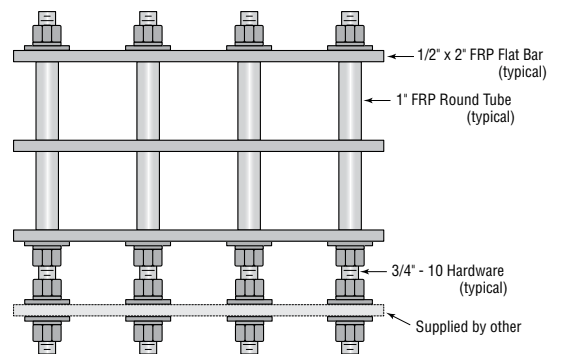
**INTERMEDIATE HANGER /
FLAT BAR-SQUARE TUBING-FLAT**



**INTERMEDIATE HANGER /
FLAT BAR-SQUARE TUBE BOTTOM**



**INTERMEDIATE HANGER /
FLAT BAR-SQUARE TUBING**



BASE MOUNT HANGER