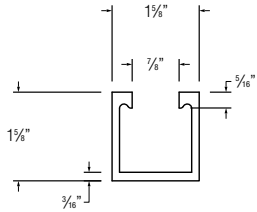


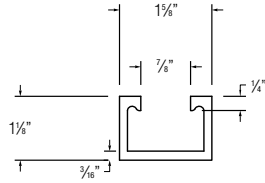
Estimated Number of Joints Per Kit <i>(estimated only, as it varies depending on the amount of adhesive applied per application)</i>					
¾"	40 Joints	1½"	25 Joints	3"	15 Joints
1"	35 Joints	2"	20 Joints	3½"	13 Joints
1¼"	30 Joints	2½"	18 Joints	4"	10 Joints

Champion Fiberglass, Inc. offers a complete support system for installations of above ground conduit. The Haz Duct, pipe clamps etc. are manufactured in house and made from high quality fiberglass. **Please note that for standard support systems, only IPS type of fiberglass conduit can be used (If ID/Tubular type of conduit is used, Please consult factory prior to installation).**

### SINGLE STRUT

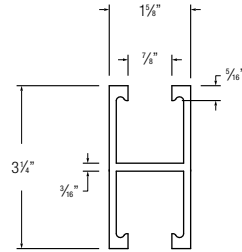


CS-S-15-10-P/V\*

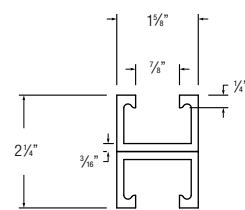


CS-S-11-10-P/V\*

### DOUBLE "BACK TO BACK" STRUT



CS-S-15D-10-P/V\*



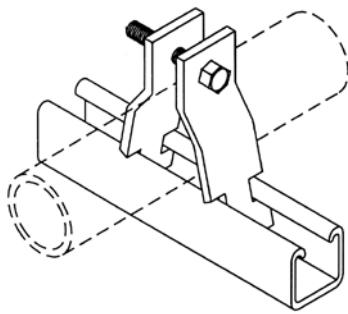
CS-S-11D-10-P/V\*

\* Use P for polyester resin and V for vinyl ester resin.

\* Use P for polyester resin and V for vinyl ester resin.

### "NON-METALLIC" UNIVERSAL PIPE CLAMPS

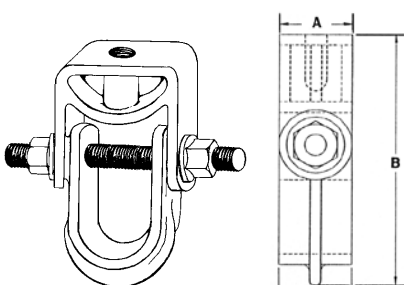
Champion Fiberglass rigid pipe clamps are IPS sized therefore can be used with all IPS sized conduit (PVC, galvanized rigid metal conduit and Champion Duct). They are constructed from a special grade of glass reinforced vinyl ester resin and supplied with non-metallic bolts and hex nuts. Follow the chart recommendations below to choose the proper sized fiberglass rigid pipe clamp for your Champion XW Haz Duct application.



XW Conduit Size	O.D. of XW Conduit	Champion Fiberglass Rigid Pipe Clamp Part No.
¾ XW	1.410 (36)	CS-PC-1-V
1 XW	1.675 (42)	CS-PC-1.25-V
1¼ XW	2.020 (51)	CS-PC-1.5-V
1½ XW	2.260 (57)	CS-PC-2-V
2 XW	2.500 (64)	CS-PC-2-V
2½ XW	3.000 (76)	CS-PC-2.5-V
3 XW	3.500 (89)	CS-PC-3-V
3½ XW	4.000 (102)	CS-PC-3.5-V
4 XW	4.500 (114)	CS-PC-4-V

### FIBERGLASS CLEVIS HANGERS

Design loads have a 3:1 safety factor at 120°F. Insulation may be required at higher temperatures.



Part No.	Nominal Diameter in	Max Pipe OD in (mm)	Hanger Rod in (mm)	Maximum Load in (mm)	A in (mm)	B in (mm)	C in (mm)
CS-CH-3/4	¾	1 (25)	½ (13)	200 (90)	2.53 (64)	4.52 (115)	1.25 (32)
CS-CH-1	1	1½ (38)	½ (13)	200 (90)	2.53 (64)	4.52 (115)	1.25 (32)
CS-CH-1.25	1¼	1¾ (44)	½ (13)	200 (90)	3.06 (78)	5.14 (131)	1.25 (32)
CS-CH-1.5	1½	2 (51)	½ (13)	200 (90)	3.06 (78)	5.14 (131)	1.25 (32)
CS-CH-2	2	2¾ (67)	½ (13)	300 (135)	3.68 (93)	6.52 (166)	1.25 (32)
CS-CH-2.5	2½	3¼ (83)	¾ (16)	400 (180)	3.68 (93)	6.52 (166)	1.25 (32)
CS-CH-3	3	3¾ (98)	¾ (16)	600 (270)	7.04 (179)	10.00 (254)	1.50 (38)
CS-CH-4	4	5 (130)	¾ (16)	600 (270)	7.04 (179)	10.00 (254)	1.50 (38)
CS-CH-6	6	7 (181)	¾ (16)	600 (270)	9.36 (238)	12.33 (313)	2.04 (52)

