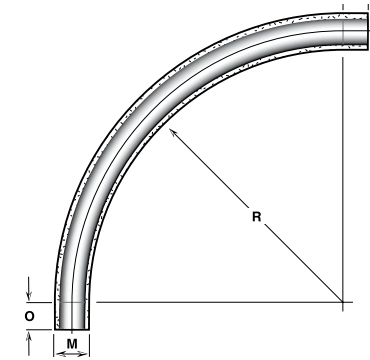


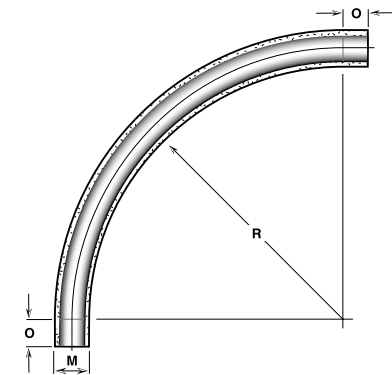
90° X 12"

Nominal Size	Type	Item No.	M	O-Tangent (min)	R - Radius (min)	Weight lbs	kg
¾	XW	07C-XW-90-P	1.41 (36)	6 (152)	12 (305)	1.52 (0.69)	
1	XW	10C-XW-90-P	1.68 (43)	6 (152)	12 (305)	1.70 (0.77)	
1¼	XW	12C-XW-90-P	2.02 (51)	6 (152)	12 (305)	2.05 (0.93)	
1½	XW	15C-XW-90-P	2.26 (57)	6 (152)	12 (305)	2.95 (1.34)	
2	XW	20D-XW-90-P	2.50 (63)	6 (152)	12 (305)	3.15 (1.43)	
2½	XW	25D-XW-90-P	3.00 (76)	6 (152)	12 (305)	3.85 (1.75)	
3	XW	30D-XW-90-P	3.50 (89)	6 (152)	12 (305)	4.55 (2.06)	
3½	XW	35D-XW-90-P	4.00 (102)	6 (152)	12 (305)	5.25 (2.38)	



90° X 24"

Nominal Size	Type	Item No.	M	O-Tangent (min)	R - Radius (min)	Weight lbs	kg
¾	XW	07C-XW-91-P	1.41 (36)	6 (152)	24 (610)	2.54 (1.15)	
1	XW	10C-XW-91-P	1.68 (43)	6 (152)	24 (610)	2.83 (1.29)	
1¼	XW	12C-XW-91-P	2.02 (51)	6 (152)	24 (610)	3.42 (1.55)	
1½	XW	15C-XW-91-P	2.26 (57)	6 (152)	24 (610)	4.92 (2.23)	
2	XW	20D-XW-91-P	2.50 (65)	6 (152)	24 (610)	5.25 (2.38)	
2½	XW	25D-XW-91-P	3.00 (76)	6 (152)	24 (610)	6.42 (2.92)	
3	XW	30D-XW-91-P	3.50 (89)	6 (152)	24 (610)	7.58 (3.44)	
3½	XW	35D-XW-91-P	4.00 (102)	6 (152)	24 (610)	8.76 (3.98)	
4	XW	40D-XW-91-P	4.50 (114)	6 (152)	24 (610)	9.92 (4.50)	



90° X 36"

Nominal Size	Type	Item No.	M	O-Tangent (min)	R - Radius (min)	Weight lbs	kg
¾	XW	07C-XW-92-P	1.41 (36)	6 (152)	36 (914)	3.46 (1.57)	
1	XW	10C-XW-92-P	1.68 (43)	6 (152)	36 (914)	3.85 (1.75)	
1¼	XW	12C-XW-92-P	2.02 (51)	6 (152)	36 (914)	4.65 (2.11)	
1½	XW	15C-XW-92-P	2.26 (57)	6 (152)	36 (914)	6.69 (3.04)	
2	XW	20D-XW-92-P	2.50 (65)	6 (152)	36 (914)	7.14 (3.24)	
2½	XW	25D-XW-92-P	3.00 (76)	6 (152)	36 (914)	8.73 (3.96)	
3	XW	30D-XW-92-P	3.50 (89)	6 (152)	36 (914)	10.31 (4.68)	
3½	XW	35D-XW-92-P	4.00 (102)	6 (152)	36 (914)	11.90 (5.40)	
4	XW	40D-XW-92-P	4.50 (114)	6 (152)	36 (914)	13.49 (6.12)	
5	XW	50D-XW-92-P	5.50 (140)	6 (152)	36 (914)	16.79 (7.56)	
6	XW	60D-XW-92-P	6.50 (165)	6 (152)	36 (914)	19.99 (9.00)	

Note: For different radii, degree and/or length for any elbow not shown in this catalog, please contact your local sales representative or the Champion Fiberglass office.

XW STANDARD RADIUS 90° ELBOWS

Standard radius elbows are available in 11¼, 22½, 30 and 45 degree bends as well. Please contact factory for additional information regarding pricing, dimensions, weights and part numbers.

Nominal Size	Type	Item No.	M	O-Tangent (min)	R - Radius (min)	Weight lbs	kg
¾	XW	07C-XW-9SR-P	1.05 (27)	6 (152)	4.50 (114)	.98 (0.4)	
1	XW	10C-XW-9SR-P	1.32 (33)	6 (152)	5.75 (146)	1.19 (0.5)	
1¼	XW	12C-XW-9SR-P	1.66 (42)	6 (152)	7.25 (184)	1.62 (0.7)	
1½	XW	15C-XW-9SR-P	1.90 (48)	6 (152)	8.25 (210)	2.42 (1.1)	
2	XW	20D-XW-9SR-P	2.37 (60)	6 (152)	9.50 (241)	2.87 (1.3)	

