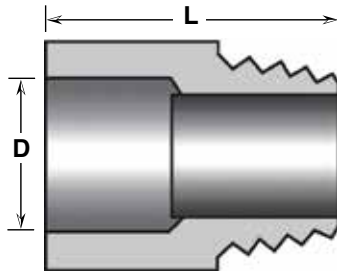


BOX CONNECTOR

[Straight Threads]

A box connector creates a separable termination into a box. This connector has straight threads (NPS) and is supplied with a locknut, O-ring supplied upon request.

Nominal Size	Type	Item No.	D		Weight			
			lbs	kg				
¾	XW	07C-XW-30	1.435	(36)	3	(76)	0.11	(0.05)
1	XW	10C-XW-30	1.700	(43)	3	(76)	0.22	(0.10)
1¼	XW	12C-XW-30	2.045	(52)	3	(76)	0.35	(0.16)
1½	XW	15C-XW-30	2.285	(58)	3	(76)	0.49	(0.22)
2	XW	20D-XW-30	2.520	(64)	5	(127)	0.85	(0.39)
2½	XW	25D-XW-30	3.025	(77)	5	(127)	0.94	(0.43)
3	XW	30D-XW-30	3.520	(89)	5	(127)	1.28	(0.58)
3½	XW	35D-XW-30	4.025	(102)	5	(127)	1.77	(0.80)
4	XW	40D-XW-30	4.520	(115)	7	(178)	2.09	(0.95)
5	XW	50D-XW-30	5.520	(140)	7	(178)	2.75	(1.25)
6	XW	60D-XW-30	6.520	(166)	7	(178)	2.97	(1.35)

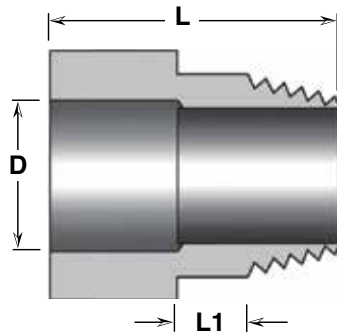


MALE ADAPTER

[Tapered Threads]

Male adapters with tapered threads (NPT) are generally used for joining to female threads of rigid steel, Myers type hubs or terminating into precast iron boxes with female thread entrances.

Nominal Size	Type	Item No.	D		Weight			
			lbs	kg				
¾	XW	07C-XW-33	1.435	(36)	3	(76)	0.09	(0.04)
1	XW	10C-XW-33	1.700	(43)	3	(76)	0.19	(0.09)
1¼	XW	12C-XW-33	2.045	(52)	3	(76)	0.24	(0.11)
1½	XW	15C-XW-33	2.285	(58)	3	(76)	0.35	(0.16)
2	XW	20D-XW-33	2.520	(64)	5	(127)	0.69	(0.31)
2½	XW	25D-XW-33	3.025	(77)	5	(127)	0.85	(0.38)
3	XW	30D-XW-33	3.520	(89)	5	(127)	1.00	(0.45)
3½	XW	35D-XW-33	4.025	(102)	5	(127)	1.28	(0.58)
4	XW	40D-XW-33	4.520	(115)	7	(178)	1.56	(0.71)
5	XW	50D-XW-33	5.520	(140)	7	(178)	2.08	(0.94)
6	XW	60D-XW-33	6.520	(166)	7	(178)	2.47	(1.12)



SPECIAL ADAPTER FOR PVC COATED FITTINGS

[Male Terminal Adapter]

This terminal adapter has tapered threads and a straight shoulder so it can fit under the PVC sleeve of a PVC coated steel fitting.

Nominal Size	Type	Item No.	D		L	L1	Weight			
			lbs	kg	lbs	kg				
¾	XW	07C-XW-24	1.435	(36)	3.75	(95)	0.75	(18)	0.36	(0.16)
1	XW	10C-XW-24	1.700	(43)	4.00	(102)	1.00	(25)	0.50	(0.23)
1¼	XW	12C-XW-24	2.045	(52)	4.25	(108)	1.25	(32)	0.60	(0.27)
1½	XW	15C-XW-24	2.285	(58)	4.50	(114)	1.50	(38)	0.90	(0.41)
2	XW	20D-XW-24	2.520	(64)	7.00	(178)	2.00	(51)	0.69	(0.31)
2½	XW	25D-XW-24	3.025	(77)	7.00	(178)	2.00	(51)	1.20	(0.45)
3	XW	30D-XW-24	3.520	(89)	7.00	(178)	2.00	(51)	1.00	(0.45)
3½	XW	35D-XW-24	4.025	(102)	7.00	(178)	2.00	(51)	1.20	(0.54)
4	XW	40D-XW-24	4.520	(115)	7.00	(178)	2.00	(51)	1.56	(0.71)
5	XW	50D-XW-24	5.520	(140)	7.00	(178)	2.00	(51)	2.08	(0.94)
6	XW	60D-XW-24	6.520	(166)	7.00	(178)	2.00	(51)	2.47	(1.12)