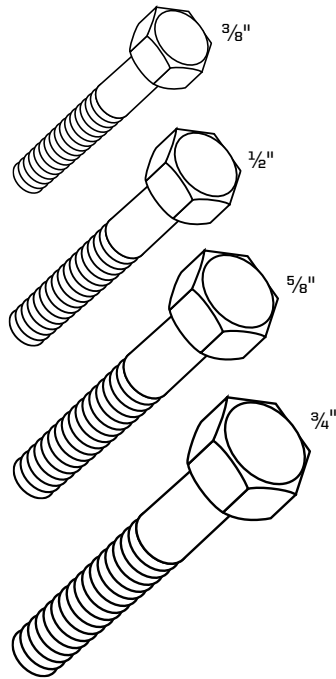


Part No.	Description
CS-B- 3/8-1	3/8" x 1"
CS-B- 3/8-1 1/4	3/8" x 1 1/4"
CS-B- 3/8-1 1/2	3/8" x 1 1/2"
CS-B- 3/8-2	3/8" x 2"
CS-B- 3/8-2 1/2	3/8" x 2 1/2"
CS-B- 3/8-3	3/8" x 3"
CS-B- 1/2-1	1/2" x 1"
CS-B- 1/2-1 1/4	1/2" x 1 1/4"
CS-B- 1/2-1 1/2	1/2" x 1 1/2"
CS-B- 1/2-2	1/2" x 2"
CS-B- 1/2-2 1/2	1/2" x 2 1/2"
CS-B- 1/2-3	1/2" x 3"
CS-B- 1/2-3 1/2	1/2" x 3 1/2"
CS-B- 1/2-4	1/2" x 4"
CS-B- 1/2-5	1/2" x 5"
CS-B- 1/2-6	1/2" x 6"
CS-B- 5/8-1 1/4	5/8" x 1 1/4"
CS-B- 5/8-1 1/2	5/8" x 1 1/2"
CS-B- 5/8-2	5/8" x 2"
CS-B- 5/8-2 1/2	5/8" x 2 1/2"
CS-B- 5/8-3	5/8" x 3"
CS-B- 5/8-3 1/2	5/8" x 3 1/2"
CS-B- 5/8-4	5/8" x 4"
CS-B- 5/8-5	5/8" x 5"
CS-B- 5/8-6	5/8" x 6"
CS-B- 3/4-1 1/2	3/4" x 1 1/2"
CS-B- 3/4-2	3/4" x 2"
CS-B- 3/4-2 1/2	3/4" x 2 1/2"
CS-B- 3/4-3	3/4" x 3"
CS-B- 3/4-3 1/2	3/4" x 3 1/2"
CS-B- 3/4-4	3/4" x 4"
CS-B- 3/4-5	3/4" x 5"
CS-B- 3/4-6	3/4" x 6"



**CHAMPION BOLT**

Sizes: 3/8", 1/2", 5/8", 3/4"  
 Material: Long glass fiber reinforced polyurethane.



**CS-SEAL-C**

**CHAMPION SEAL  
 FIELD CUTTING SEALANT**

- Seals exposed fibers after field cuts
- Champion Seal exceeds vinyl ester material in corrosion resistance
- Restores gloss and luster to weathered fiberglass
- Seals exposed FRP threads after installation of threaded rod and hex nuts

Available in 12 oz spray

**STRUT TO BEAM CLAMP ASSEMBLY**

CHAMPION STRUT® Beam Clamps allow easy attachment of Champion strut assemblies to a wide range of structural members. They are made from glass reinforced vinyl ester. To estimate the length of strut required, take the width of the I-beam and add 5". Maximum recommended loading: 200 lbs.

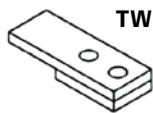
**EACH ASSEMBLY INCLUDES:**



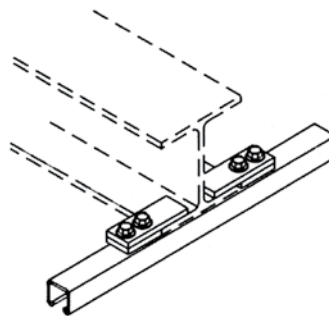
**FOUR CHANNEL NUTS**



**FOUR FIBERGLASS BOLTS**

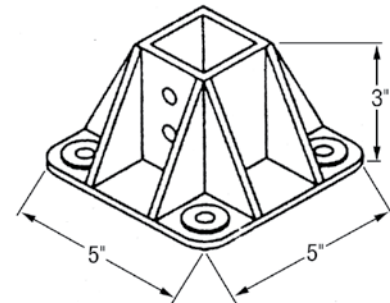


**TWO CLIPS**



**DOUBLE BOLT ASSEMBLY**

Part No.	Assembly Description	Std. Qty.
CS-IC-3/8	Double bolt for 3/8"	1 assembly
CS-IC-1/2	Double bolt for 1/2"	1 assembly



**STRUT POST BASE**

Part No.	Size
CS-PB-S	Post Base for S-15 Strut
CS-PB-D	Post Base for S-15D Strut