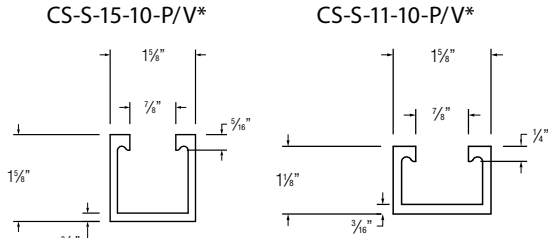


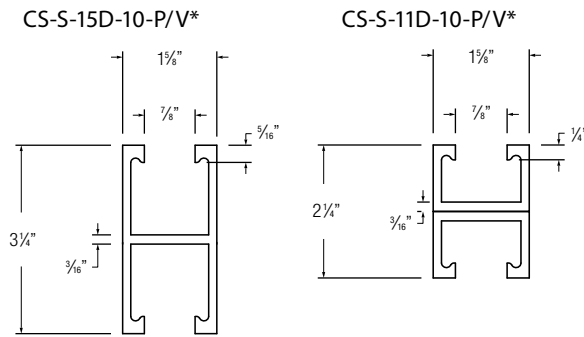
Champion Fiberglass, Inc. offers a complete support system for installations of above ground conduit. The strut, pipe clamps etc. are manufactured in house and made from high quality fiberglass. Please note that for standard support systems, only IPS type of fiberglass conduit can be used (If ID/Tubular type of conduit is used, Please consult factory prior to installation). For bridge installations, refer to Hangers on page 63.

SINGLE STRUT



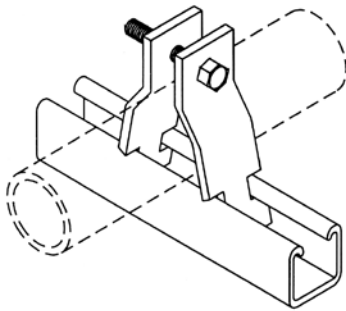
* Use P for polyester resin and V for vinyl ester resin.

DOUBLE "BACK TO BACK" STRUT



* Use P for polyester resin and V for vinyl ester resin.

"NON-METALLIC" UNIVERSAL PIPE CLAMPS



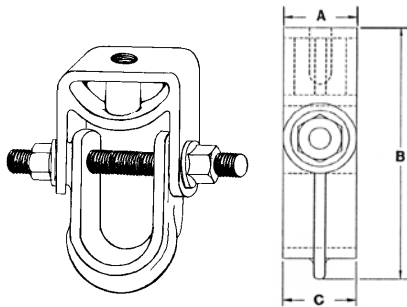
If stainless steel fasteners are preferred, add letter "S" to part nos. below.

| Part No. | Pipe Size | Conduit Outside Dimension - inches (metric) | | | | |
|--------------|-----------|---|------------------|-------------|-------|---------------------------|
| | | PVC Schedule 40 & 80 | PVC Coated Steel | Rigid Steel | Steel | EpoxyFiberglass IPS Type* |
| CS-PC-3/4-V | 3/4 | 1.050 (27) | 1.130 (29) | 1.050 (27) | | 1.050 (27) |
| CS-PC-1-V | 1 | 1.315 (33) | 1.395 (35) | 1.315 (33) | | 1.315 (33) |
| CS-PC-1.25-V | 1 1/4 | 1.660 (42) | 1.740 (44) | 1.660 (42) | | 1.660 (42) |
| CS-PC-1.5-V | 1 1/2 | 1.900 (48) | 1.980 (50) | 1.900 (48) | | 1.900 (48) |
| CS-PC-2-V | 2 | 2.375 (60) | 2.455 (62) | 2.375 (60) | | 2.340 (59) |
| CS-PC-2.5-V | 2 1/2 | 2.875 (73) | 2.950 (75) | 2.875 (73) | | 2.875 (73) |
| CS-PC-3-V | 3 | 3.500 (89) | 3.580 (91) | 3.500 (89) | | 3.450 (88) |
| CS-PC-3.5-V | 3 1/2 | 4.000 (102) | 4.090 (104) | 4.000 (102) | | 4.000 (102) |
| CS-PC-4-V | 4 | 4.500 (114) | 4.580 (116) | 4.500 (114) | | 4.460 (113) |

* Epoxy Fiberglass conduit, tubular dimensions (ID Type), does not fit into standard pipe clamps. Please consult factory.

For rigid steel, PVC coated steel, PVC schedule 40 & 80 and filament wound epoxy fiberglass conduit (IPS only). Made from a special grade of glass reinforced vinyl ester resin. Standard fasteners are non-metallic bolts and hex nuts. See page 51 in this catalog.

FIBERGLASS CLEVIS HANGERS



| Part No. | Nominal Diameter in | Max Pipe OD in (mm) | Hanger Rod in (mm) | Maximum Load (lbs) | A in (mm) | B in (mm) | C in (mm) |
|------------|---------------------|---------------------|--------------------|--------------------|------------|-------------|-----------|
| CS-CH-3/4 | 3/4 | 1 (25) | 1/2 (13) | 200 (90) | 2.53 (64) | 4.52 (115) | 1.25 (32) |
| CS-CH-1 | 1 | 1 1/2 (38) | 1/2 (13) | 200 (90) | 2.53 (64) | 4.52 (115) | 1.25 (32) |
| CS-CH-1.25 | 1 1/4 | 1 3/4 (44) | 1/2 (13) | 200 (90) | 3.06 (78) | 5.14 (131) | 1.25 (32) |
| CS-CH-1.5 | 1 1/2 | 2 (51) | 1/2 (13) | 200 (90) | 3.06 (78) | 5.14 (131) | 1.25 (32) |
| CS-CH-2 | 2 | 2 1/2 (67) | 1/2 (13) | 300 (135) | 3.68 (93) | 6.52 (166) | 1.25 (32) |
| CS-CH-2.5 | 2 1/2 | 3 1/4 (83) | 1/2 (13) | 400 (180) | 3.68 (93) | 6.52 (166) | 1.25 (32) |
| CS-CH-3 | 3 | 3 3/4 (98) | 1/2 (13) | 600 (270) | 7.04 (179) | 10.00 (254) | 1.50 (38) |
| CS-CH-4 | 4 | 5 1/8 (130) | 1/2 (13) | 600 (270) | 7.04 (179) | 10.00 (254) | 1.50 (38) |
| CS-CH-6 | 6 | 7 1/2 (181) | 1/2 (13) | 600 (270) | 9.36 (238) | 12.33 (313) | 2.04 (52) |

Design loads have a 3:1 safety factor at 120°F. Insulation may be required at higher temperatures.