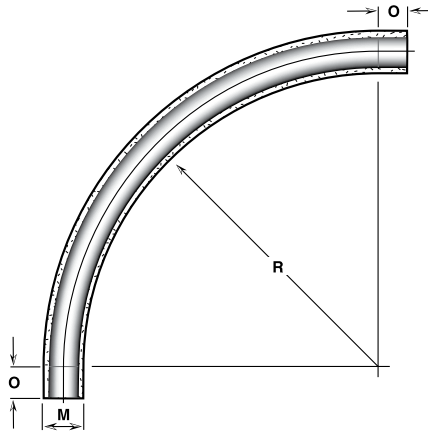


ELBOWS



90° X 60"

Note: For different radii, degree and/or length for any elbows listed in this catalog, please contact your local sales representative or Champion Fiberglass. Please specify if such an arrangement is required.

For technical information regarding fittings and elbows for 8", 10", and 12" conduit, please contact your local sales representative or Champion Fiberglass.

| Nominal Size | Type | ID Item No. Belowground | Aboveground | M | O-Tangent (min) | R - Radius (min) | Weight lbs | kg |
|--------------|------|-------------------------|-------------|------------|-----------------|------------------|------------|--------|
| 2 | SW | 20B-SW-94-P | 20D-SW-94-P | 2.14 (54) | 6 (152) | 60 (1,524) | 3.00 | (1.36) |
| 2½ | SW | 25B-SW-94-P | 25D-SW-94-P | 2.64 (67) | 6 (152) | 60 (1,524) | 3.71 | (1.68) |
| 3 | SW | 30B-SW-94-P | 30D-SW-94-P | 3.14 (80) | 6 (152) | 60 (1,524) | 4.24 | (1.93) |
| 3½ | SW | 35B-SW-94-P | 35D-SW-94-P | 3.64 (92) | 6 (152) | 60 (1,524) | 5.30 | (2.41) |
| 4 | SW | 40B-SW-94-P | 40D-SW-94-P | 4.14 (105) | 6 (152) | 60 (1,524) | 6.10 | (2.77) |
| 4 | HW | 40B-HW-94-P | 40D-HW-94-P | 4.19 (106) | 6 (152) | 60 (1,524) | 8.13 | (3.69) |
| 4½ | SW | 45B-SW-94-P | 45D-SW-94-P | 4.64 (117) | 6 (152) | 60 (1,524) | 6.63 | (3.01) |
| 4½ | HW | 45B-HW-94-P | 45D-HW-94-P | 4.69 (118) | 6 (152) | 60 (1,524) | 9.19 | (4.17) |
| 5 | SW | 50B-SW-94-P | 50D-SW-94-P | 5.14 (131) | 6 (152) | 60 (1,524) | 7.51 | (3.41) |
| 5 | MW | 50B-MW-94-P | 50D-MW-94-P | 5.19 (132) | 6 (152) | 60 (1,524) | 9.98 | (4.53) |
| 5 | HW | 50B-HW-94-P | 50D-HW-94-P | 5.22 (132) | 6 (152) | 60 (1,524) | 11.66 | (5.29) |
| 6 | SW | 60B-SW-94-P | 60D-SW-94-P | 6.14 (156) | 6 (152) | 60 (1,524) | 9.01 | (4.09) |
| 6 | MW | 60B-MW-94-P | 60D-MW-94-P | 6.19 (157) | 6 (152) | 60 (1,524) | 11.93 | (5.42) |
| 6 | HW | 60B-HW-94-P | 60D-HW-94-P | 6.22 (158) | 6 (152) | 60 (1,524) | 13.96 | (6.34) |

| Nominal Size | Type | Item No. Belowground | Aboveground | M | O-Tangent (min) | R - Radius (min) | Weight lbs | kg |
|--------------|------|----------------------|-------------|------------|-----------------|------------------|------------|---------|
| 2 | XW | 20B-XW-94-P | 20D-XW-94-P | 2.50 (65) | 6 (152) | 60 (1,524) | 11.13 | (5.05) |
| 2½ | XW | 25B-XW-94-P | 25D-XW-94-P | 3.00 (76) | 6 (152) | 60 (1,524) | 13.61 | (6.18) |
| 3 | XW | 30B-XW-94-P | 30D-XW-94-P | 3.50 (89) | 6 (152) | 60 (1,524) | 16.08 | (7.30) |
| 3½ | XW | 35B-XW-94-P | 35D-XW-94-P | 4.00 (102) | 6 (152) | 60 (1,524) | 18.55 | (8.42) |
| 4 | XW | 40B-XW-94-P | 40D-XW-94-P | 4.50 (114) | 6 (152) | 60 (1,524) | 21.02 | (9.54) |
| 5 | XW | 50B-XW-94-P | 50D-XW-94-P | 5.50 (140) | 6 (152) | 60 (1,524) | 25.97 | (11.79) |
| 6 | XW | 60B-XW-94-P | 60D-XW-94-P | 6.50 (165) | 6 (152) | 60 (1,524) | 30.92 | (14.04) |

IPS STANDARD RADIUS ELBOWS

Standard radius elbows are available in 11¼, 22½, 30 and 45 degree bends as well. Please contact factory for additional information regarding pricing, dimensions, weights and part numbers.

| Nominal Size | Type | IPS Item No. Belowground | Aboveground | M | O-Tangent (min) | R-Radius (min) | Weight lbs | kg |
|--------------|------|--------------------------|--------------|-----------|-----------------|----------------|------------|-------|
| ¾ | SW | 07A-SW-9SR-P | 07C-SW-9SR-P | 1.05 (27) | 6 (152) | 4.50 (114) | 0.27 | (0.1) |
| 1 | SW | 10A-SW-9SR-P | 10C-SW-9SR-P | 1.32 (33) | 6 (152) | 5.75 (146) | 0.33 | (0.2) |
| 1¼ | SW | 12A-SW-9SR-P | 12C-SW-9SR-P | 1.66 (42) | 6 (152) | 7.25 (184) | 0.46 | (0.2) |
| 1½ | SW | 15A-SW-9SR-P | 15C-SW-9SR-P | 1.90 (48) | 6 (152) | 8.25 (210) | 0.68 | (0.3) |
| 2 | SW | 20A-SW-9SR-P | 20C-SW-9SR-P | 2.37 (60) | 6 (152) | 9.50 (241) | 0.87 | (0.4) |

XW STANDARD RADIUS ELBOWS

Standard radius elbows are available in 11¼, 22½, 30 and 45 degree bends as well. Please contact factory for additional information regarding pricing, dimensions, weights and part numbers.

| Nominal Size | Type | Item No. | M | O-Tangent (min) | R - Radius (min) | Weight lbs | kg |
|--------------|------|--------------|-----------|-----------------|------------------|------------|-------|
| ¾ | XW | 07C-XW-9SR-P | 1.05 (27) | 6 (152) | 4.50 (114) | .98 | (0.4) |
| 1 | XW | 10C-XW-9SR-P | 1.32 (33) | 6 (152) | 5.75 (146) | 1.19 | (0.5) |
| 1¼ | XW | 12C-XW-9SR-P | 1.66 (42) | 6 (152) | 7.25 (184) | 1.62 | (0.7) |
| 1½ | XW | 15C-XW-9SR-P | 1.90 (48) | 6 (152) | 8.25 (210) | 2.42 | (1.1) |
| 2 | XW | 20D-XW-9SR-P | 2.37 (60) | 6 (152) | 9.50 (241) | 2.87 | (1.3) |

ELBOWS WITH BONDED ON PVC COUPLINGS



Standard PVC Coupling



Deep Socket PVC Coupling



Standard PVC Coupling bonded onto fiberglass elbow.

Elbows can be supplied with one or two PVC bonded couplings. Replace P suffix with: 1V for one coupling or 2V for two couplings.



Deep Socket PVC Coupling bonded onto fiberglass elbow.

Elbows can be supplied with one or two PVC bonded couplings. Replace P suffix with: 1D for one coupling or 2D for two couplings.