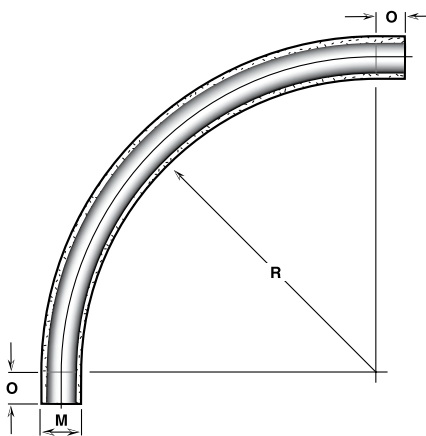


90° X 48"

Nominal Size	Type	IPS Item No.		M	O-Tangent (min)	R - Radius (min)	Weight	
		Belowground	Aboveground				lbs	kg
¾	SW	07A-SW-93-P	07C-SW-93-P	1.05 (27)	6 (152)	48 (1,219)	1.36	(0.62)
1	SW	10A-SW-93-P	10C-SW-93-P	1.32 (33)	6 (152)	48 (1,219)	1.52	(0.69)
1¼	SW	12A-SW-93-P	12C-SW-93-P	1.66 (42)	6 (152)	48 (1,219)	1.84	(0.84)
1½	SW	15A-SW-93-P	15C-SW-93-P	1.90 (48)	6 (152)	48 (1,219)	2.64	(1.20)
2	SW	20A-SW-93-P	20C-SW-93-P	2.37 (60)	6 (152)	48 (1,219)	3.04	(1.38)
2½	SW	25A-SW-93-P	25C-SW-93-P	2.88 (73)	6 (152)	48 (1,219)	3.68	(1.67)
3	SW	30A-SW-93-P	30C-SW-93-P	3.50 (89)	6 (152)	48 (1,219)	4.80	(2.18)
4	SW	40A-SW-93-P	40C-SW-93-P	4.46 (113)	6 (152)	48 (1,219)	5.76	(2.62)
4	HW	40A-HW-93-P	40C-HW-93-P	4.51 (114)	6 (152)	48 (1,219)	7.76	(3.52)
5	SW	50A-SW-93-P	50C-SW-93-P	5.52 (140)	6 (152)	48 (1,219)	7.20	(3.27)
5	MW	50A-MW-93-P	50C-MW-93-P	5.57 (141)	6 (152)	48 (1,219)	9.60	(4.36)
5	HW	50A-HW-93-P	50C-HW-93-P	5.60 (142)	6 (152)	48 (1,219)	10.40	(4.72)
6	SW	60A-SW-93-P	60C-SW-93-P	6.58 (167)	6 (152)	48 (1,219)	8.64	(3.92)
6	MW	60A-MW-93-P	60C-MW-93-P	6.63 (168)	6 (152)	48 (1,219)	11.52	(5.23)
6	HW	60A-HW-93-P	60C-HW-93-P	6.66 (169)	6 (152)	48 (1,219)	12.67	(5.75)

Nominal Size	Type	ID Item No.		M	O-Tangent (min)	R - Radius (min)	Weight	
		Belowground	Aboveground				lbs	kg
2	SW	20B-SW-93-P	20D-SW-93-P	2.14 (54)	6 (152)	48 (1,219)	2.72	(1.24)
2½	SW	25B-SW-93-P	25D-SW-93-P	2.64 (67)	6 (152)	48 (1,219)	3.36	(1.53)
3	SW	30B-SW-93-P	30D-SW-93-P	3.14 (80)	6 (152)	48 (1,219)	3.84	(1.74)
3½	SW	35B-SW-93-P	35D-SW-93-P	3.64 (92)	6 (152)	48 (1,219)	4.80	(2.18)
4	SW	40B-SW-93-P	40D-SW-93-P	4.14 (105)	6 (152)	48 (1,219)	5.52	(2.51)
4	HW	40B-HW-93-P	40D-HW-93-P	4.19 (106)	6 (152)	48 (1,219)	7.36	(3.34)
4½	SW	45B-SW-93-P	45D-SW-93-P	4.64 (117)	6 (152)	48 (1,219)	6.00	(2.72)
4½	HW	45B-HW-93-P	45D-HW-93-P	4.69 (118)	6 (152)	48 (1,219)	8.32	(3.78)
5	SW	50B-SW-93-P	50D-SW-93-P	5.14 (131)	6 (152)	48 (1,219)	6.80	(3.09)
5	MW	50B-MW-93-P	50D-MW-93-P	5.19 (132)	6 (152)	48 (1,219)	9.04	(4.10)
5	HW	50B-HW-93-P	50D-HW-93-P	5.22 (133)	6 (152)	48 (1,219)	10.56	(4.79)
6	SW	60B-SW-93-P	60D-SW-93-P	6.14 (156)	6 (152)	48 (1,219)	8.16	(3.70)
6	MW	60B-MW-93-P	60D-MW-93-P	6.19 (157)	6 (152)	48 (1,219)	10.85	(4.92)
6	HW	60B-HW-93-P	60D-HW-93-P	6.22 (158)	6 (152)	48 (1,219)	12.48	(5.66)

Nominal Size	Type	Item No.		M	O-Tangent (min)	R - Radius (min)	Weight	
		Belowground	Aboveground				lbs	kg
2	XW	20B-XW-93-P	20D-XW-93-P	2.50 (65)	6 (152)	48 (1,219)	10.08	(4.58)
2½	XW	25B-XW-93-P	25D-XW-93-P	3.00 (76)	6 (152)	48 (1,219)	12.32	(5.59)
3	XW	30B-XW-93-P	30D-XW-93-P	3.50 (89)	6 (152)	48 (1,219)	14.56	(6.61)
3½	XW	35B-XW-93-P	35D-XW-93-P	4.00 (102)	6 (152)	48 (1,219)	16.80	(7.63)
4	XW	40B-XW-93-P	40D-XW-93-P	4.50 (114)	6 (152)	48 (1,219)	19.04	(8.64)
5	XW	50B-XW-93-P	50D-XW-93-P	5.50 (140)	6 (152)	48 (1,219)	23.52	(10.68)
6	XW	60B-XW-93-P	60D-XW-93-P	6.50 (165)	6 (152)	48 (1,219)	28.00	(12.71)



90° X 60"

Nominal Size	Type	IPS Item No.		M	O-Tangent (min)	R - Radius (min)	Weight	
		Belowground	Aboveground				lbs	kg
¾	SW	07A-SW-94-P	07C-SW-94-P	1.05 (27)	6 (152)	60 (1,524)	1.50	(0.68)
1	SW	10A-SW-94-P	10C-SW-94-P	1.32 (33)	6 (152)	60 (1,524)	1.68	(0.76)
1¼	SW	12A-SW-94-P	12C-SW-94-P	1.66 (42)	6 (152)	60 (1,524)	2.03	(0.92)
1½	SW	15A-SW-94-P	15C-SW-94-P	1.90 (48)	6 (152)	60 (1,524)	2.92	(1.33)
2	SW	20A-SW-94-P	20C-SW-94-P	2.37 (60)	6 (152)	60 (1,524)	3.36	(1.53)
2½	SW	25A-SW-94-P	25C-SW-94-P	2.88 (73)	6 (152)	60 (1,524)	4.06	(1.84)
3	SW	30A-SW-94-P	30C-SW-94-P	3.50 (89)	6 (152)	60 (1,524)	5.30	(2.41)
4	SW	40A-SW-94-P	40C-SW-94-P	4.46 (113)	6 (152)	60 (1,524)	6.36	(2.89)
4	HW	40A-HW-94-P	40C-HW-94-P	4.51 (115)	6 (152)	60 (1,524)	8.57	(3.89)
5	SW	50A-SW-94-P	50C-SW-94-P	5.52 (140)	6 (152)	60 (1,524)	7.95	(3.61)
5	MW	50A-MW-94-P	50C-MW-94-P	5.57 (141)	6 (152)	60 (1,524)	10.60	(4.81)
5	HW	50A-HW-94-P	50C-HW-94-P	5.60 (142)	6 (152)	60 (1,524)	11.48	(5.21)
6	SW	60A-SW-94-P	60C-SW-94-P	6.58 (167)	6 (152)	60 (1,524)	8.83	(4.01)
6	MW	60A-MW-94-P	60C-MW-94-P	6.63 (168)	6 (152)	60 (1,524)	12.54	(5.69)
6	HW	60A-HW-94-P	60C-HW-94-P	6.66 (169)	6 (152)	60 (1,524)	14.40	(6.54)