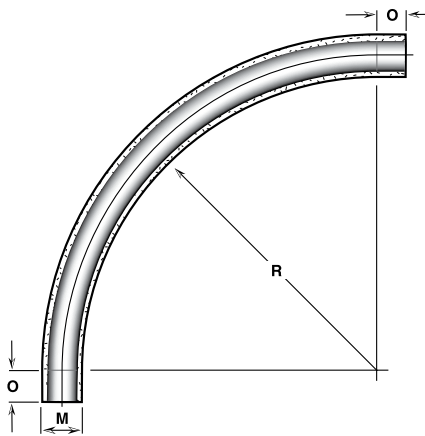


45° X 60"

| Nominal Size | Type | IPS Item No. | | M | O-Tangent (min) | R - Radius (min) | Weight | |
|--------------|------|--------------|-------------|------------|-----------------|------------------|--------|--------|
| | | Belowground | Aboveground | | | | lbs | kg |
| ¾ | SW | 07A-SW-84-P | 07C-SW-84-P | 1.05 (27) | 6 (152) | 60 (1,524) | 0.85 | (0.39) |
| 1 | SW | 10A-SW-84-P | 10C-SW-84-P | 1.32 (33) | 6 (152) | 60 (1,524) | 0.95 | (0.43) |
| 1¼ | SW | 12A-SW-84-P | 12C-SW-84-P | 1.66 (42) | 6 (152) | 60 (1,524) | 1.15 | (0.52) |
| 1½ | SW | 15A-SW-84-P | 15C-SW-84-P | 1.90 (48) | 6 (152) | 60 (1,524) | 1.65 | (0.75) |
| 2 | SW | 20A-SW-84-P | 20C-SW-84-P | 2.37 (60) | 6 (152) | 60 (1,524) | 1.90 | (0.86) |
| 2½ | SW | 25A-SW-84-P | 25C-SW-84-P | 2.88 (73) | 6 (152) | 60 (1,524) | 2.30 | (1.04) |
| 3 | SW | 30A-SW-84-P | 30C-SW-84-P | 3.50 (89) | 6 (152) | 60 (1,524) | 3.00 | (1.36) |
| 4 | SW | 40A-SW-84-P | 40C-SW-84-P | 4.46 (113) | 6 (152) | 60 (1,524) | 3.60 | (1.63) |
| 4 | HW | 40A-HW-84-P | 40C-HW-84-P | 4.51 (115) | 6 (152) | 60 (1,524) | 4.85 | (2.20) |
| 5 | SW | 50A-SW-84-P | 50C-SW-84-P | 5.52 (140) | 6 (152) | 60 (1,524) | 4.50 | (2.04) |
| 5 | MW | 50A-MW-84-P | 50C-MW-84-P | 5.57 (141) | 6 (152) | 60 (1,524) | 6.00 | (2.72) |
| 5 | HW | 50A-HW-84-P | 50C-HW-84-P | 5.60 (142) | 6 (152) | 60 (1,524) | 6.50 | (2.95) |
| 6 | SW | 60A-SW-84-P | 60C-SW-84-P | 6.58 (167) | 6 (152) | 60 (1,524) | 5.00 | (2.27) |
| 6 | MW | 60A-MW-84-P | 60C-MW-84-P | 6.63 (168) | 6 (152) | 60 (1,524) | 7.10 | (3.22) |
| 6 | HW | 60A-HW-84-P | 60C-HW-84-P | 6.66 (169) | 6 (152) | 60 (1,524) | 8.15 | (3.70) |

| Nominal Size | Type | ID Item No. | | M | O-Tangent (min) | R - Radius (min) | Weight | |
|--------------|------|-------------|-------------|------------|-----------------|------------------|--------|--------|
| | | Belowground | Aboveground | | | | lbs | kg |
| 2 | SW | 20B-SW-84-P | 20D-SW-84-P | 2.14 (54) | 6 (152) | 60 (1,524) | 1.70 | (0.77) |
| 2½ | SW | 25B-SW-84-P | 25D-SW-84-P | 2.64 (67) | 6 (152) | 60 (1,524) | 2.10 | (0.95) |
| 3 | SW | 30B-SW-84-P | 30D-SW-84-P | 3.14 (80) | 6 (152) | 60 (1,524) | 2.40 | (1.09) |
| 3½ | SW | 35B-SW-84-P | 35D-SW-84-P | 3.64 (92) | 6 (152) | 60 (1,524) | 3.00 | (1.36) |
| 4 | SW | 40B-SW-84-P | 40D-SW-84-P | 4.14 (105) | 6 (152) | 60 (1,524) | 3.45 | (1.57) |
| 4 | HW | 40B-HW-84-P | 40D-HW-84-P | 4.19 (106) | 6 (152) | 60 (1,524) | 4.60 | (2.09) |
| 4½ | SW | 45B-SW-84-P | 45D-SW-84-P | 4.64 (117) | 6 (152) | 60 (1,524) | 3.75 | (1.70) |
| 4½ | HW | 45B-HW-84-P | 45D-HW-84-P | 4.69 (118) | 6 (152) | 60 (1,524) | 5.20 | (2.36) |
| 5 | SW | 50B-SW-84-P | 50D-SW-84-P | 5.14 (131) | 6 (152) | 60 (1,524) | 4.25 | (1.93) |
| 5 | MW | 50B-MW-84-P | 50D-MW-84-P | 5.19 (132) | 6 (152) | 60 (1,524) | 5.65 | (2.57) |
| 5 | HW | 50B-HW-84-P | 50D-HW-84-P | 5.22 (132) | 6 (152) | 60 (1,524) | 6.60 | (3.00) |
| 6 | SW | 60B-SW-84-P | 60D-SW-84-P | 6.14 (156) | 6 (152) | 60 (1,524) | 5.10 | (2.32) |
| 6 | MW | 60B-MW-84-P | 60D-MW-84-P | 6.19 (157) | 6 (152) | 60 (1,524) | 6.75 | (3.07) |
| 6 | HW | 60B-HW-84-P | 60D-HW-84-P | 6.22 (158) | 6 (152) | 60 (1,524) | 7.90 | (3.59) |

| Nominal Size | Type | Item No. | | M | O-Tangent (min) | R - Radius (min) | Weight | |
|--------------|------|-------------|-------------|------------|-----------------|------------------|--------|--------|
| | | Belowground | Aboveground | | | | lbs | kg |
| 2 | XW | 20B-XW-84-P | 20D-XW-84-P | 2.50 (65) | 6 (152) | 60 (1,524) | 6.30 | (2.86) |
| 2½ | XW | 25B-XW-84-P | 25D-XW-84-P | 3.00 (76) | 6 (152) | 60 (1,524) | 7.70 | (3.50) |
| 3 | XW | 30B-XW-84-P | 30D-XW-84-P | 3.50 (89) | 6 (152) | 60 (1,524) | 9.10 | (4.13) |
| 3½ | XW | 35B-XW-84-P | 35D-XW-84-P | 4.00 (102) | 6 (152) | 60 (1,524) | 10.50 | (4.77) |
| 4 | XW | 40B-XW-84-P | 40D-XW-84-P | 4.50 (114) | 6 (152) | 60 (1,524) | 11.90 | (5.40) |
| 5 | XW | 50B-XW-84-P | 50D-XW-84-P | 5.50 (140) | 6 (152) | 60 (1,524) | 14.70 | (6.67) |
| 6 | XW | 60B-XW-84-P | 60D-XW-84-P | 6.50 (165) | 6 (152) | 60 (1,524) | 17.50 | (7.94) |



90° X 12"

| Nominal Size | Type | IPS Item No. | | M | O-Tangent (min) | R-Radius (min) | Weight | |
|--------------|------|--------------|-------------|-----------|-----------------|----------------|--------|--------|
| | | Belowground | Aboveground | | | | lbs | kg |
| ¾ | SW | 07A-SW-90-P | 07C-SW-90-P | 1.05 (27) | 6 (152) | 12 (305) | 0.43 | (0.20) |
| 1 | SW | 10A-SW-90-P | 10C-SW-90-P | 1.32 (33) | 6 (152) | 12 (305) | 0.48 | (0.22) |
| 1¼ | SW | 12A-SW-90-P | 12C-SW-90-P | 1.66 (42) | 6 (152) | 12 (305) | 0.58 | (0.26) |
| 1½ | SW | 15A-SW-90-P | 15C-SW-90-P | 1.90 (48) | 6 (152) | 12 (305) | 0.83 | (0.38) |
| 2 | SW | 20A-SW-90-P | 20C-SW-90-P | 2.37 (60) | 6 (152) | 12 (305) | 0.95 | (0.43) |
| 2½ | SW | 25A-SW-90-P | 25C-SW-90-P | 2.88 (73) | 6 (152) | 12 (305) | 1.15 | (0.52) |

| Nominal Size | Type | ID Item No. | | M | O-Tangent (min) | R - Radius (min) | Weight | |
|--------------|------|-------------|-------------|-----------|-----------------|------------------|--------|--------|
| | | Belowground | Aboveground | | | | lbs | kg |
| 2 | SW | 20B-SW-90-P | 20D-SW-90-P | 2.14 (54) | 6 (152) | 12 (305) | 0.85 | (0.39) |
| 2½ | SW | 25B-SW-90-P | 25D-SW-90-P | 2.64 (67) | 6 (152) | 12 (305) | 1.05 | (0.48) |

| Nominal Size | Type | Item No. | | M | O-Tangent (min) | R - Radius (min) | Weight | |
|--------------|------|-------------|-------------|------------|-----------------|------------------|--------|--------|
| | | Belowground | Aboveground | | | | lbs | kg |
| 2 | XW | 20B-XW-90-P | 20D-XW-90-P | 2.50 (63) | 6 (152) | 12 (305) | 3.15 | (1.43) |
| 2½ | XW | 25B-XW-90-P | 25D-XW-90-P | 3.00 (76) | 6 (152) | 12 (305) | 3.85 | (1.75) |
| 3 | XW | 30B-XW-90-P | 30D-XW-90-P | 3.50 (89) | 6 (152) | 12 (305) | 4.55 | (2.06) |
| 3½ | XW | 35B-XW-90-P | 35D-XW-90-P | 4.00 (102) | 6 (152) | 12 (305) | 5.25 | (2.38) |