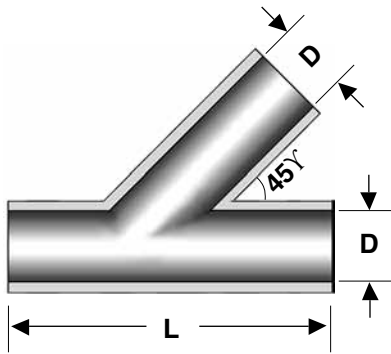


# FITTINGS

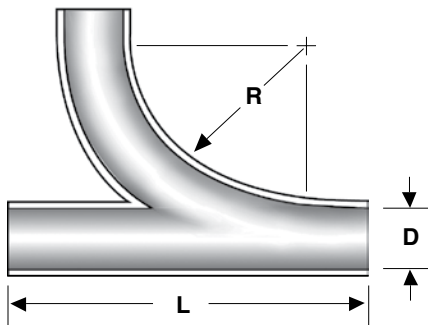


## Y - FITTING

Special fitting not sold in US.

Nominal Size	Type	IPS Item No.		D	L	Weight	
		Belowground	Aboveground			lbs	kg
3/4	SW	07A-SW-45	07C-SW-45	1.06 (27)	15 (381)	0.54	(0.25)
1	SW	10A-SW-45	10C-SW-45	1.32 (34)	15 (381)	0.60	(0.27)
1 1/4	SW	12A-SW-45	12C-SW-45	1.67 (42)	15 (381)	0.70	(0.32)
1 1/2	SW	15A-SW-45	15C-SW-45	1.91 (49)	15 (381)	0.76	(0.35)
2	SW	20A-SW-45	20C-SW-45	2.40 (61)	18 (457)	1.06	(0.48)
3	SW	30A-SW-45	30C-SW-45	3.52 (89)	22 (559)	1.91	(0.87)
4	SW	40A-SW-45	40C-SW-45	4.47 (114)	26 (661)	2.90	(1.32)
4	HW	40A-HW-45	40C-HW-45	4.52 (115)	26 (661)	3.60	(1.63)
5	SW	50A-SW-45	50C-SW-45	5.54 (141)	30 (762)	4.20	(1.91)
5	MW	50A-MW-45	50C-MW-45	5.59 (142)	30 (762)	5.50	(2.50)
5	HW	50A-HW-45	50C-HW-45	5.63 (143)	30 (762)	6.40	(2.91)
6	SW	60A-SW-45	60C-SW-45	6.61 (168)	36 (915)	6.00	(2.72)
6	MW	60A-MW-45	60C-MW-45	6.66 (169)	36 (915)	7.70	(3.50)
6	HW	60A-HW-45	60C-HW-45	6.69 (170)	36 (915)	8.10	(3.68)

Nominal Size	Type	ID Item No.		D	L	Weight	
		Belowground	Aboveground			lbs	kg
2	SW	20B-SW-45	20D-SW-45	2.16 (55)	24 (609)	1.01	(0.46)
2 1/2	SW	25B-SW-45	25C-SW-45	2.66 (68)	24 (609)	1.20	(0.55)
3	SW	30B-SW-45	30D-SW-45	3.16 (80)	36 (914)	1.72	(0.78)
3 1/2	SW	35B-SW-45	35D-SW-45	3.66 (93)	36 (914)	2.10	(0.95)
4	SW	40B-SW-45	40D-SW-45	4.16 (106)	36 (914)	2.70	(1.23)
4	HW	40B-HW-45	40D-HW-45	4.20 (107)	36 (914)	3.40	(1.54)
4 1/2	SW	45B-SW-45	45D-SW-45	4.66 (118)	36 (914)	3.30	(1.50)
4 1/2	HW	45B-HW-45	45D-HW-45	4.70 (119)	36 (914)	4.10	(1.86)
5	SW	50B-SW-45	50D-SW-45	5.16 (131)	48 (1,219)	3.90	(1.77)
5	MW	50B-MW-45	50D-MW-45	5.20 (132)	48 (1,219)	5.00	(2.27)
5	HW	50B-HW-45	50D-HW-45	5.24 (133)	48 (1,219)	5.90	(2.70)
6	SW	60B-SW-45	60D-SW-45	6.16 (156)	60 (1,524)	5.60	(2.54)
6	MW	60B-MW-45	60D-MW-45	6.20 (157)	60 (1,524)	7.20	(3.27)
6	HW	60B-HW-45	60D-HW-45	6.24 (158)	60 (1,524)	8.50	(3.86)



## Y - ELBOW

Special fitting not sold in US.

Nominal Size	Type	IPS Item No.		D	R	L	Weight	
		Belowground	Aboveground				lbs	kg
3/4	SW	07A-SW-46-P	07C-SW-46-P	1.06 (27)	24 (609)	12 (305)	0.68	(0.31)
1	SW	10A-SW-46-P	10C-SW-46-P	1.32 (34)	24 (609)	12 (305)	0.75	(0.34)
1 1/4	SW	12A-SW-46-P	12C-SW-46-P	1.67 (42)	24 (609)	12 (305)	0.88	(0.40)
1 1/2	SW	15A-SW-46-P	15C-SW-46-P	1.91 (49)	24 (609)	12 (305)	0.95	(0.43)
2	SW	20A-SW-46-P	20C-SW-46-P	2.40 (61)	24 (609)	24 (609)	1.30	(0.59)
3	SW	30A-SW-46-P	30C-SW-46-P	3.52 (89)	36 (914)	36 (914)	2.40	(1.09)
4	SW	40A-SW-46-P	40C-SW-46-P	4.47 (114)	36 (914)	36 (914)	3.60	(1.63)
4	HW	40A-HW-46-P	40C-HW-46-P	4.52 (115)	36 (914)	36 (914)	4.50	(2.04)
5	SW	50A-SW-46-P	50C-SW-46-P	5.54 (141)	48 (1,219)	48 (1,219)	5.20	(2.36)
5	MW	50A-MW-46-P	50C-MW-46-P	5.59 (142)	48 (1,219)	48 (1,219)	6.90	(3.13)
5	HW	50A-HW-46-P	50C-HW-46-P	5.63 (143)	48 (1,219)	48 (1,219)	8.00	(3.63)
6	SW	60A-SW-46-P	60C-SW-46-P	6.61 (168)	60 (1,524)	60 (1,524)	7.50	(3.41)
6	MW	60A-MW-46-P	60C-MW-46-P	6.66 (169)	60 (1,524)	60 (1,524)	9.60	(4.36)
6	HW	60A-HW-46-P	60C-HW-46-P	6.69 (170)	60 (1,524)	60 (1,524)	10.10	(4.58)

Nominal Size	Type	ID Item No.		D	R	L	Weight	
		Belowground	Aboveground				lbs	kg
2	SW	20B-SW-46-P	20D-SW-46-P	2.16 (55)	24 (609)	24 (609)	1.25	(0.57)
2 1/2	SW	25B-SW-46-P	25D-SW-46-P	2.66 (68)	24 (609)	24 (609)	1.50	(0.68)
3	SW	30B-SW-46-P	30D-SW-46-P	3.16 (80)	36 (914)	36 (914)	2.10	(0.95)
3 1/2	SW	35B-SW-46-P	35D-SW-46-P	3.66 (93)	36 (914)	36 (914)	2.60	(1.18)
4	SW	40B-SW-46-P	40D-SW-46-P	4.16 (106)	36 (914)	36 (914)	3.40	(1.54)
4	HW	40B-HW-46-P	40D-HW-46-P	4.20 (107)	36 (914)	36 (914)	4.20	(1.91)
4 1/2	SW	45B-SW-46-P	45D-SW-46-P	4.66 (118)	36 (914)	36 (914)	4.10	(1.86)
4 1/2	HW	45B-HW-46-P	45D-HW-46-P	4.70 (119)	36 (914)	36 (914)	5.10	(2.32)
5	SW	50B-SW-46-P	50D-SW-46-P	5.16 (131)	48 (1,219)	48 (1,219)	4.90	(2.23)
5	MW	50B-MW-46-P	50D-MW-46-P	5.20 (132)	48 (1,219)	48 (1,219)	6.20	(2.82)
5	HW	50B-HW-46-P	50D-HW-46-P	5.24 (133)	48 (1,219)	48 (1,219)	7.40	(3.36)
6	SW	60B-SW-46-P	60D-SW-46-P	6.16 (156)	60 (1,524)	60 (1,524)	7.00	(3.18)
6	MW	60B-MW-46-P	60D-MW-46-P	6.20 (157)	60 (1,524)	60 (1,524)	9.00	(4.09)
6	HW	60B-HW-46-P	60D-HW-46-P	6.24 (158)	60 (1,524)	60 (1,524)	10.60	(4.81)