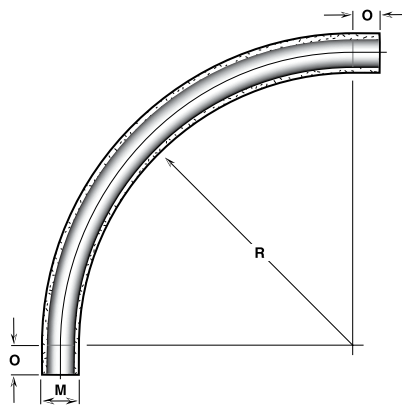


90° X 12"

Nominal Size	Type	IPS Item No.	M	O-Tangent (min.)	R-Radius (min.)	Weight lbs	kg
¾	SW	07E-SW-90-P	1.05 (27)	6 (152)	12 (305)	0.43	(0.20)
1	SW	10E-SW-90-P	1.32 (33)	6 (152)	12 (305)	0.48	(0.22)
1¼	SW	12E-SW-90-P	1.66 (42)	6 (152)	12 (305)	0.58	(0.26)
1½	SW	15E-SW-90-P	1.90 (48)	6 (152)	12 (305)	0.83	(0.38)
2	SW	20E-SW-90-P	2.37 (60)	6 (152)	12 (305)	0.95	(0.43)
2½	SW	25E-SW-90-P	2.88 (73)	6 (152)	12 (305)	1.15	(0.52)

Nominal Size	Type	ID Item No.	M	O-Tangent (min)	R - Radius (min)	Weight lbs	kg
2	SW	20F-SW-90-P	2.14 (54)	6 (152)	12 (305)	0.85	(0.39)
2½	SW	25F-SW-90-P	2.64 (67)	6 (152)	12 (305)	1.05	(0.48)

Nominal Size	Type	Item No.	M	O-Tangent (min)	R - Radius (min)	Weight lbs	kg
¾	XW	07E-XW-90-P	1.41 (36)	6 (152)	12 (305)	1.52	(0.69)
1	XW	10E-XW-90-P	1.68 (43)	6 (152)	12 (305)	1.70	(0.77)
1¼	XW	12E-XW-90-P	2.02 (51)	6 (152)	12 (305)	2.05	(0.93)
1½	XW	15E-XW-90-P	2.26 (57)	6 (152)	12 (305)	2.95	(1.34)
2	XW	20F-XW-90-P	2.50 (63)	6 (152)	12 (305)	3.15	(1.43)
2½	XW	25F-XW-90-P	3.00 (76)	6 (152)	12 (305)	3.85	(1.75)
3	XW	30F-XW-90-P	3.50 (89)	6 (152)	12 (305)	4.55	(2.06)
3½	XW	35F-XW-90-P	4.00 (102)	6 (152)	12 (305)	5.25	(2.38)



90° X 24"

Nominal Size	Type	IPS Item No.	M	O-Tangent (min.)	R-Radius (min.)	Weight lbs	kg
¾	SW	07E-SW-91-P	1.05 (27)	6 (152)	24 (610)	0.71	(0.32)
1	SW	10E-SW-91-P	1.32 (33)	6 (152)	24 (610)	0.79	(0.36)
1¼	SW	12E-SW-91-P	1.66 (42)	6 (152)	24 (610)	0.96	(0.44)
1½	SW	15E-SW-91-P	1.90 (48)	6 (152)	24 (610)	1.38	(0.63)
2	SW	20E-SW-91-P	2.37 (60)	6 (152)	24 (610)	1.58	(0.72)
2½	SW	25E-SW-91-P	2.88 (73)	6 (152)	24 (610)	1.92	(0.87)
3	SW	30E-SW-91-P	3.50 (89)	6 (152)	24 (610)	2.50	(1.14)
4	SW	40E-SW-91-P	4.46 (113)	6 (152)	24 (610)	3.00	(1.36)
4	HW	40E-HW-91-P	4.51 (115)	6 (152)	24 (610)	4.04	(1.83)

Nominal Size	Type	ID Item No.	M	O-Tangent (min)	R - Radius (min)	Weight lbs	kg
2	SW	20F-SW-91-P	2.14 (54)	6 (152)	24 (610)	1.42	(0.65)
2½	SW	25F-SW-91-P	2.64 (67)	6 (152)	24 (610)	1.75	(0.80)
3	SW	30F-SW-91-P	3.14 (80)	6 (152)	24 (610)	2.00	(0.91)
4	SW	40F-SW-91-P	4.14 (105)	6 (152)	24 (610)	2.88	(1.30)
4	HW	40F-HW-91-P	4.19 (106)	6 (152)	24 (610)	3.84	(1.74)

Nominal Size	Type	Item No.	M	O-Tangent (min)	R - Radius (min)	Weight lbs	kg
¾	XW	07E-XW-91-P	1.41 (36)	6 (152)	24 (610)	2.54	(1.15)
1	XW	10E-XW-91-P	1.68 (43)	6 (152)	24 (610)	2.83	(1.29)
1¼	XW	12E-XW-91-P	2.02 (51)	6 (152)	24 (610)	3.42	(1.55)
1½	XW	15E-XW-91-P	2.26 (57)	6 (152)	24 (610)	4.92	(2.23)
2	XW	20F-XW-91-P	2.50 (65)	6 (152)	24 (610)	5.25	(2.38)
2½	XW	25F-XW-91-P	3.00 (76)	6 (152)	24 (610)	6.42	(2.92)
3	XW	30F-XW-91-P	3.50 (89)	6 (152)	24 (610)	7.58	(3.44)
3½	XW	35F-XW-91-P	4.00 (102)	6 (152)	24 (610)	8.76	(3.98)
4	XW	40F-XW-91-P	4.50 (114)	6 (152)	24 (610)	9.92	(4.50)