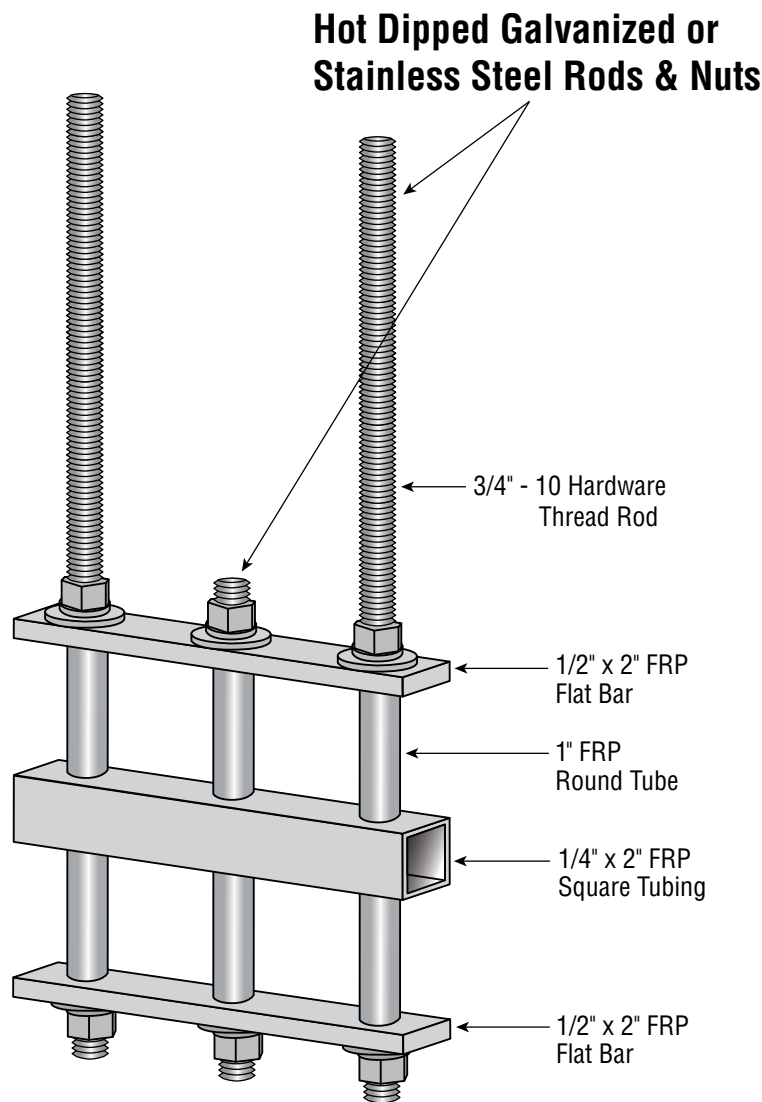


STEEL HARDWARE SPECIFICATIONS

The support rods, intermediate rods, and all metallic hardware will be manufactured as **Hot Dipped Galvanized Steel, 304 Stainless Steel** or **316 Stainless Steel**. These hanger components are assembled based on the specified application requirements.

Complete components of a bridge hanger may include the following:

- 2" x ½" **(50.8mm x 12.7mm)** Fiberglass flat bar, all holes on centerline, holes for support rods, 1" **(25mm)** from each end of plate. Length as required.
- 2" x 2" x ¼" **(50.8mm x 50.8mm x 6.4mm)** Fiberglass square tubing, all holes on centerline, holes for support rods, 1" **(25mm)** from each end of square tube. Length as required.
- 1" OD x 0.755" ID **(25.4mm OD x 19.2mm ID)** Fiberglass spacer tube. Length as required.
- ¾" **(19mm)** All thread rod with 2 nuts, 2 lock washers and 2 flat washers. Length as required.



EXAMPLE: 2W X 2W FLAT BAR-SQUARE TUB-FLAT