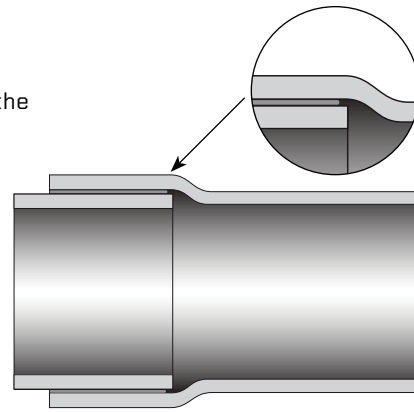


## ADHESIVE JOINT

The Adhesive Joint is the straight socket joint combined with the appropriate adhesive. The adhesive is applied to the spigot end of the conduit. Please select an adhesive from page 34.



## EXPANSION JOINTS

We recommend that expansion fittings should be provided to compensate for thermal expansion and contraction where the length change is expected to be ¼ inch (**6 mm**) or greater in a straight run between securely mounted items such as boxes, cabinets, elbows, or other conduit terminations.

Expansion Characteristics of Flame Shield (Phenolic Conduit)  
Coefficient of Thermal Expansion =  $5.1 \times 10^{-6}$  in/in/°F ( $9.27 \times 10^{-6}$  mm/mm/°C)

Temperature Change (°F)	Length Change (in/100 ft)	Temperature Change (°F)	Length Change (in/100 ft)	Temperature Change (°C)	Length Change (mm/m)
5	0.03	105	0.64	5	0.05
10	0.06	110	0.67	10	0.09
15	0.09	115	0.70	15	0.14
20	0.12	120	0.73	20	0.19
25	0.15	125	0.77	25	0.23
30	0.18	130	0.80	30	0.28
35	0.21	135	0.83	35	0.32
40	0.24	140	0.86	40	0.37
45	0.28	145	0.89	45	0.42
50	0.31	150	0.92	50	0.46
55	0.34	155	0.95	55	0.51
60	0.37	160	0.98	60	0.56
65	0.40	165	1.01	65	0.60
70	0.43	170	1.04	70	0.65
75	0.46	175	1.07	75	0.70
80	0.49	180	1.10	80	0.74
85	0.52	185	1.13	85	0.79
90	0.55	190	1.16	90	0.83
95	0.58	195	1.19	95	0.88
100	0.61	200	1.22	100	0.93